



Circular duct fan.

The RVK sileo series is designed for installation in ducts. The casing is manufactured from Polypropylene with 30% fibreglass reinforced plastic which creates a airtight casing.

Duct connected humid applications of the fan are possible due to the air tight casing and the IP 44 rated terminal box. The fans have efficient backward-curved blades and external rotor motors.

The VBM mounting clamp facilitates easy installation and removal, and prevents the transfer of vibration to the duct. Mounting kit for mounting on the wall or ceiling is available as option

The fans can be speed-controlled via a stepless thyristor or a 5-step transformer speed controller.

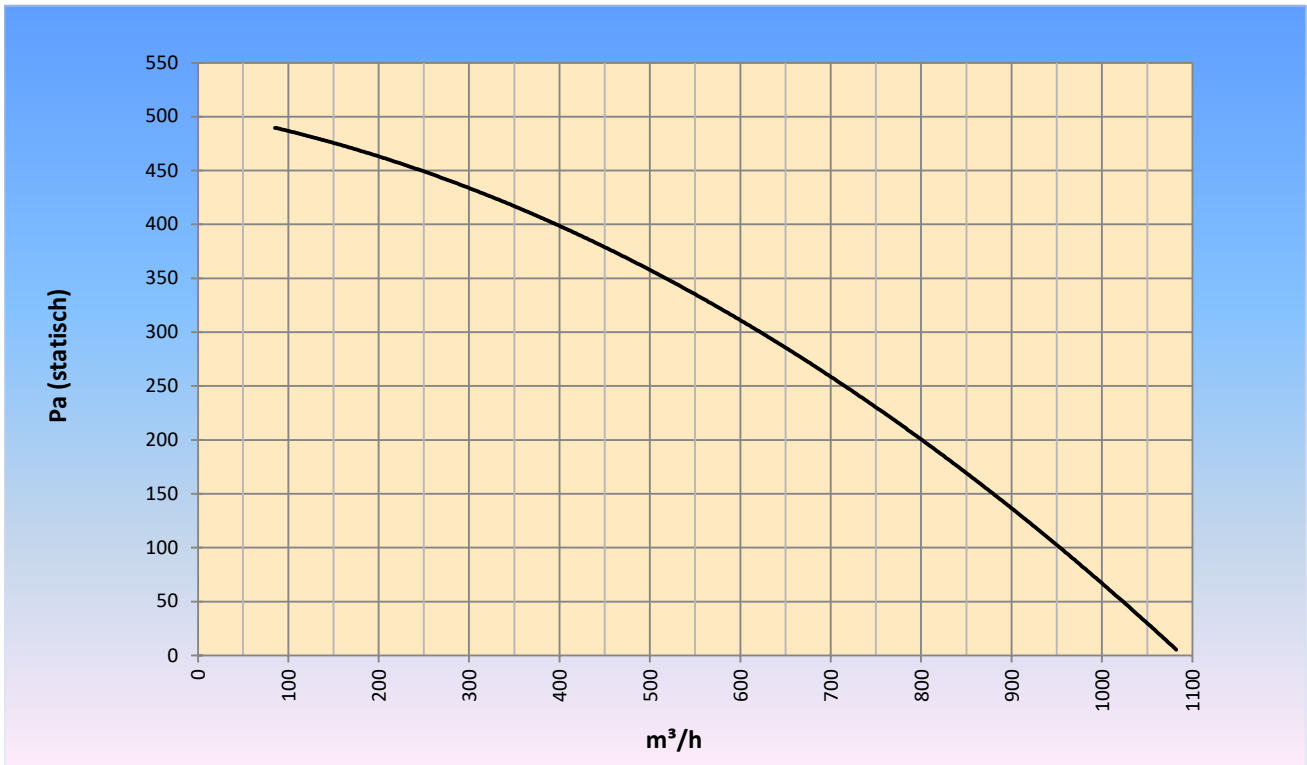
General data:

Max. Air flow	1.080	m3/h
Impeller speed	2.531	rpm
Input power	159	W
Voltage	1x230/50	V/Hz
Input current	0,691	A
Enclosure class, motor	44	IP
Weight	3,9	kg
Max. medium temp.	70	°C
Sound pressure level at 3M freefield	32,4	dB(A)

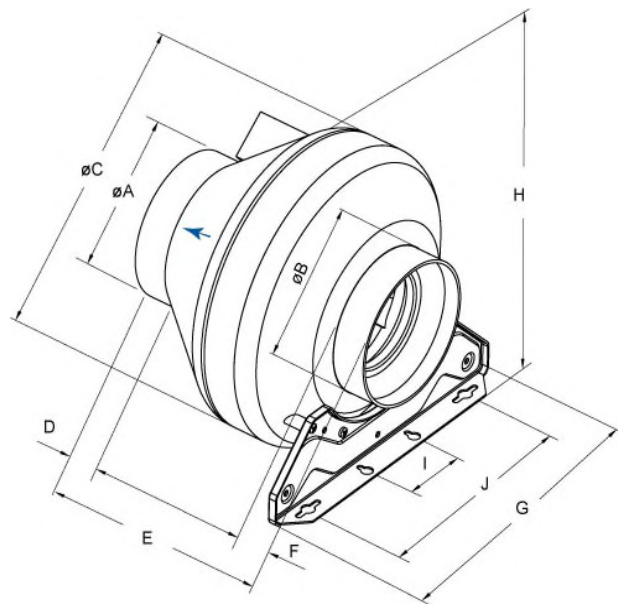
Options:

Flexible connection	VBM-250
Gravity Louvre shutter	RSK-250
Protection guard	RSG-250
Filter cassette	FRG-250
Silencer	GLD-A 250
MTV	MTY 1,0
MTP	STR-1-10L10

Curve:



Dimensions:



$\varnothing A$	$\varnothing B$	$\varnothing C$	D	E	F	G	H	I	J
249	249	340,5	30	230	30	271,5	360	60	200