

Centrifugal fan model EUM, Es.4

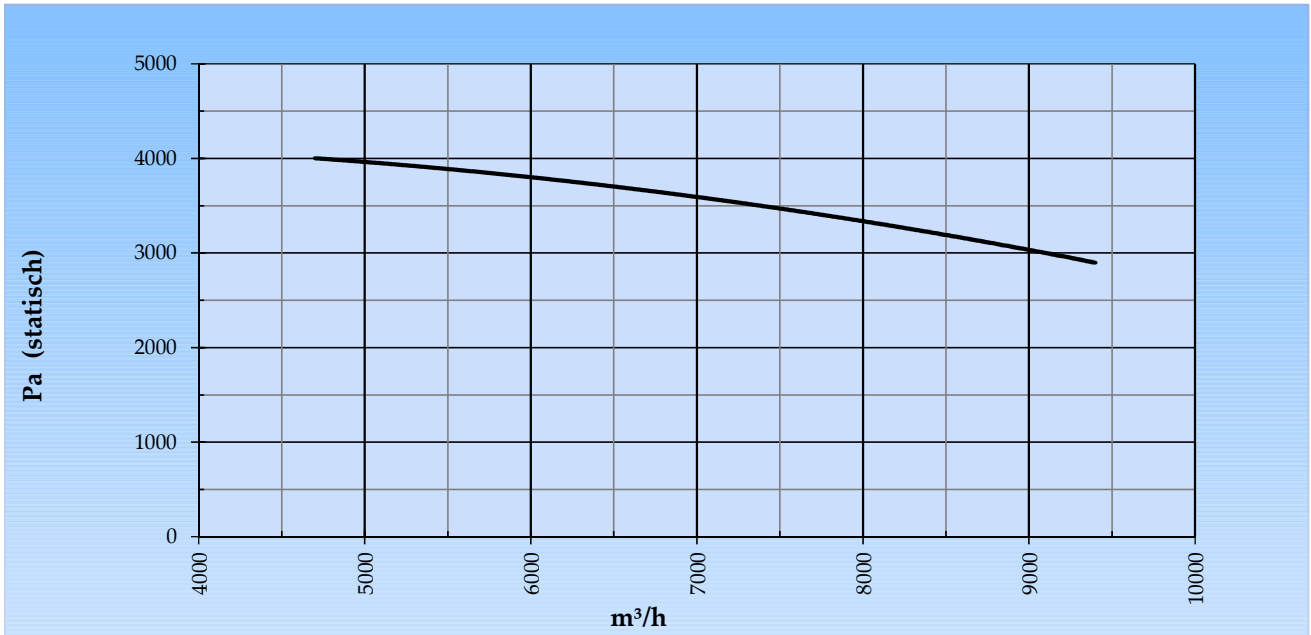
Single inlet fan, direct driven with an IEC-standard motor in form B3 which is mounted on a motorbase. The overhang impeller is mounted on the motor shaft and has backwardly curved blades. The blades are welded between the back plate disc and the aerodynamically formed front plate. The robust industrial fan is totally made of steel and painted in the agate grey color RAL 7038. The fan is suitable for the transportation of clean and slightly dusty air.

General data:

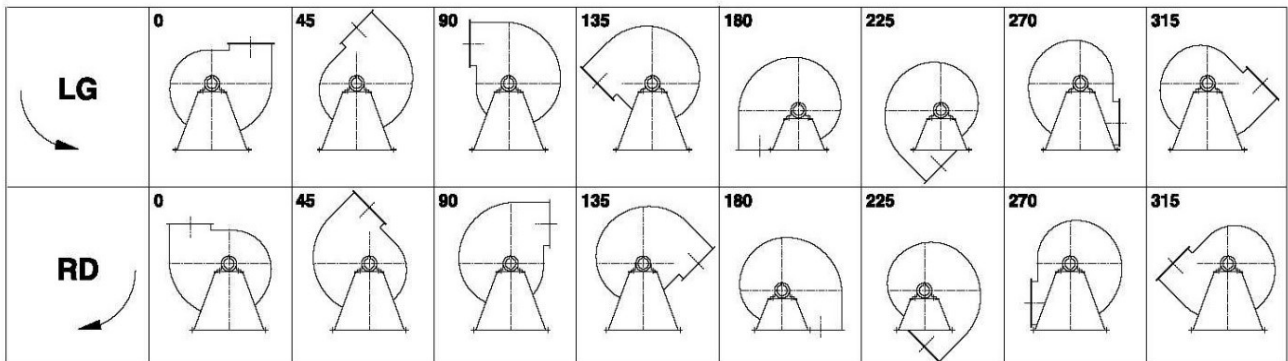
Drive	direct	
Motor position	horizontal	
Material casing/base	Steel	
Material impeller/hub	Steel	
Coating/protection	RAL 7038	
Operating temperature (max.)	15 (80)	°C
Medium density (altitude 0 m)	1,226	kg/m ³
Impeller speed	2.945	rpm
Weight	226	kg
Sound pressure level ±3 (at 1,5 m near the fan with inlet and outlet ducted, in free field)	81	dB(A)

Electric motor:	160M	IEC
Power	11,0	kW
Motor speed	2.945	rpm
Electric supply	3x400V50Hz	V/Hz
Full load current	20,0	A
Enclosure	55	IP
Shape	B3T	
Efficiency class	IE3	

Curve EUM 501 @ 2945rpm @ 15°C @ 0m



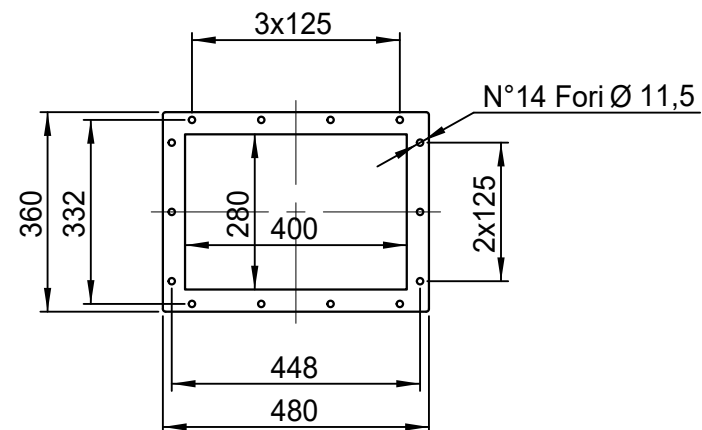
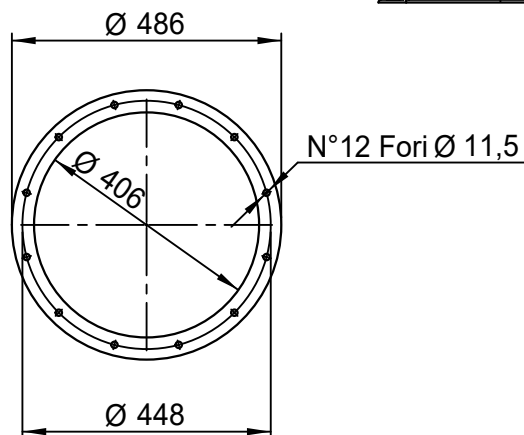
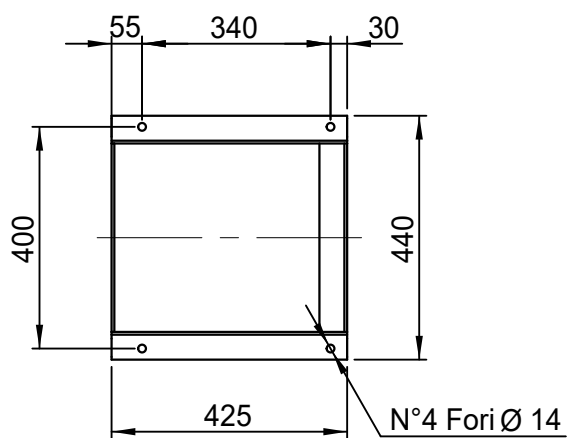
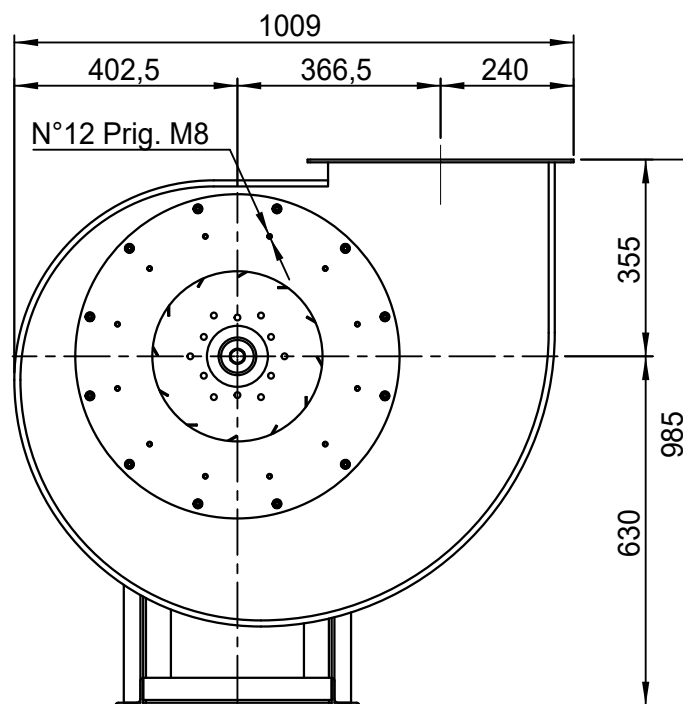
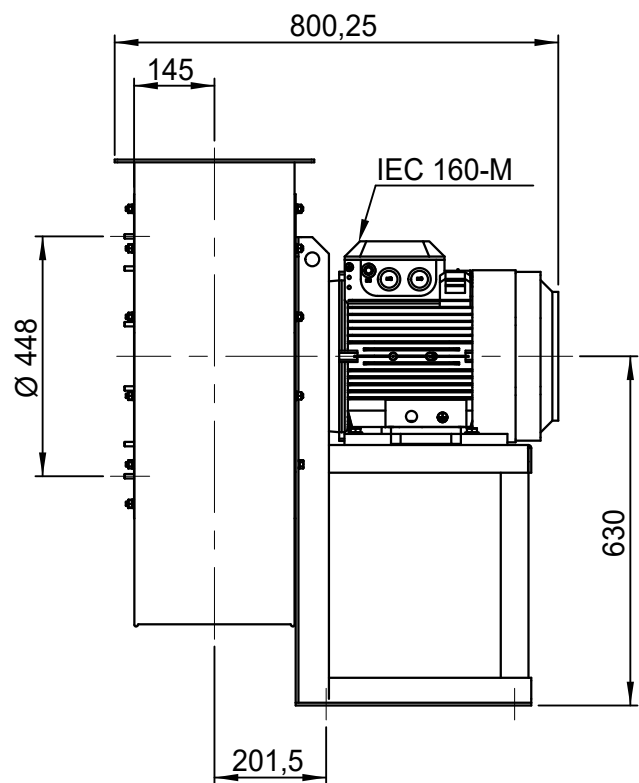
Possible discharge positions:



* (Pos 180 and 225 extra price)

Possible accessories

Mounting profiles for load distribution	STF 072501
Counterflange inlet/outlet	
Flexible connection inlet/outlet max. 80°C	zz Ø 450 / pz Ø 500
Anti-vibration mountings	4x 50x40/B/70°ShA
Inspectiondoor	
Drain	
Shaft seal without asbestos	
Coolingwheel (medium max. 150°C)	(incl. coating RAL9006)
Flexible connection inlet/outlet max. 150°C	zz Ø 450 / pz Ø 500
ATEX version	Zone 1 / 2 / 21 / 22
ATEX motor	Ex nA / Exe / Ex de
Coating suitable for outdoor application	RAL 5010 / RAL
Stainless steel version	304 / 316 / ...
Acoustic enclosure	



DESCRIZIONE - DESCRIPTION

EUM 501 - RD 0

SCALA 1:13

DISEGNATO - PREPARED

FORMATO

DATA 10/07/2015

Duregotti P.

A4

SOSTITUISCE IL - REPLACES THE N° AEUM501A411A000

SOSTITUITO DAL - REPLACES BY N°

Copy 9-7-2020

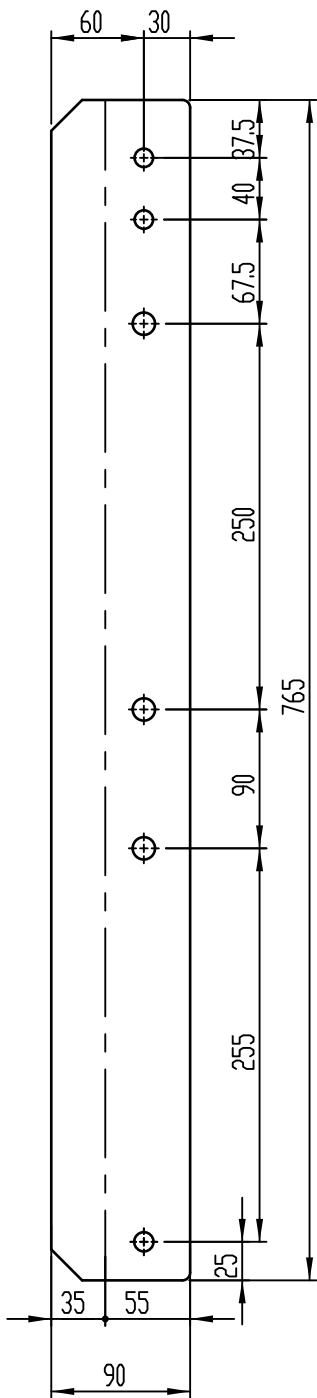


N.DISEGNO - N.DRAWING

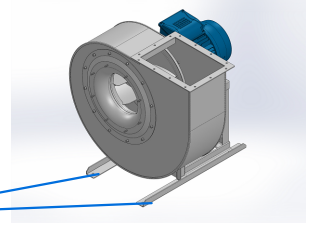
V1EUM501A0012

REV.

00



Sp. 50/10



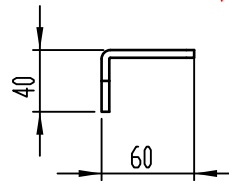
Position Vibration damper

N°3 Foro ϕ 14.5

n°1 PIEGA DX
n°1 PIEGA SX

N°3 Fori ϕ 12.5

Position Vibration damper

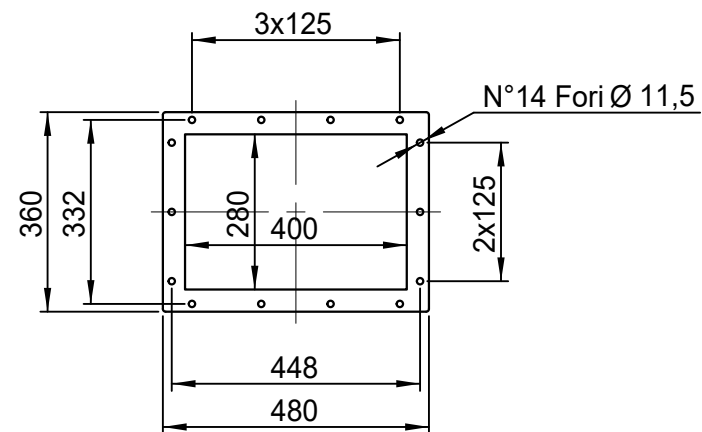
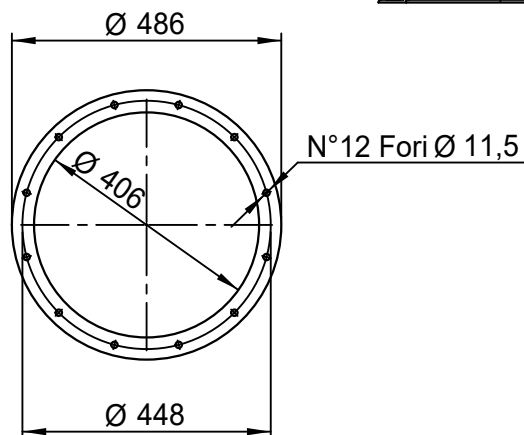
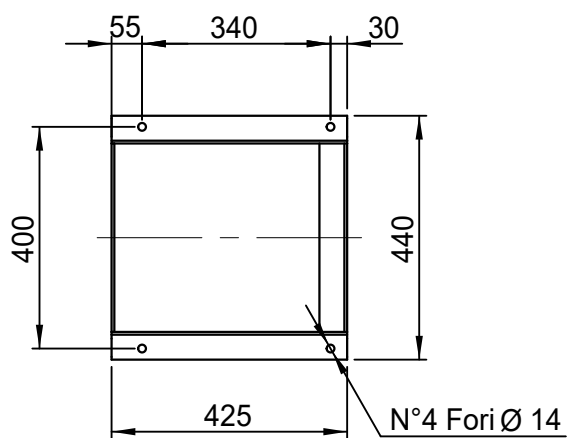
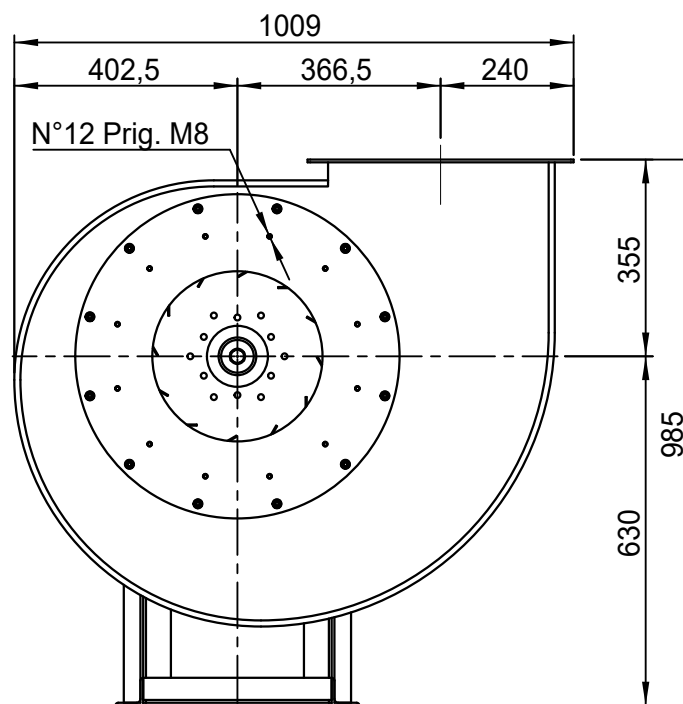
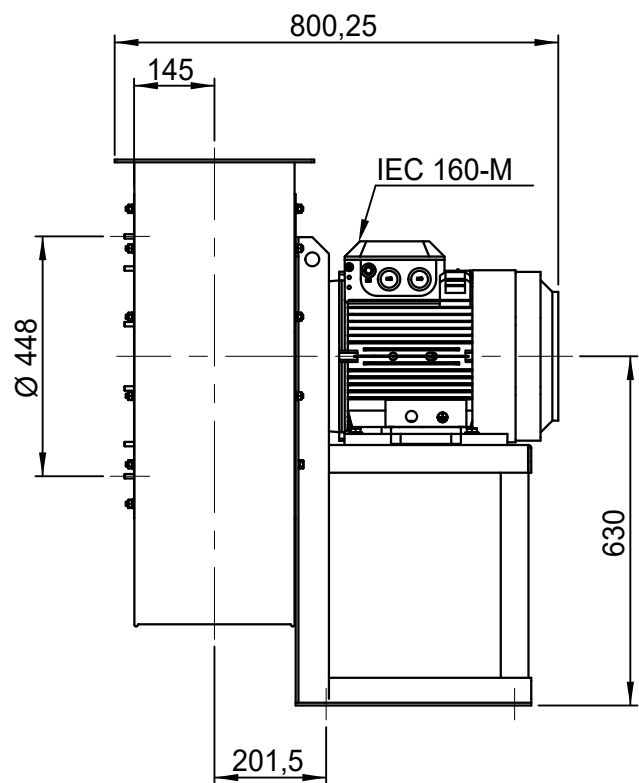


COMM.

N°

01	04/12/2019	Adattamento alle sedie nuove		Galiotto M.	De Santi G.
00	24/11/2015	PRIMA EMISSIONE		Galiotto M.	De Santi G.
REV	DATA - DATE	DESCRIZIONE - DESCRIPTION		DISEGNATO PREPARED	APPROVATO APPROVED
DESCRIZIONE - DESCRIPTION		MATERIALE - MATERIAL	NR.FILE	PESD - WEIGHT	
		Fe 360	EUR00068018	Kg 2,64	
DESCRIZIONE - DESCRIPTION			SCALA	DISEGNATO - PREPARED	FORMATO
Staffe per Puffer L=765			1:4,5	Galiotto M.	A4
IEC 132 - 160			DATA		
			04/12/2019		
			SOSTITUISCE IL - REPLACES THE N°		
			SOSTITUITO DAL - REPLACES BY N°		
			N.DISEGNO - N.DRAWING		REV.
			STF072501		01





DESCRIZIONE - DESCRIPTION

EUM 501 - RD 0

SCALA 1:13

DISEGNATO - PREPARED

FORMATO

DATA 10/07/2015

Duregotti P.

A4

SOSTITUISCE IL - REPLACES THE N° AEUM501A411A000

SOSTITUITO DAL - REPLACES BY N°

Copy 9-7-2020

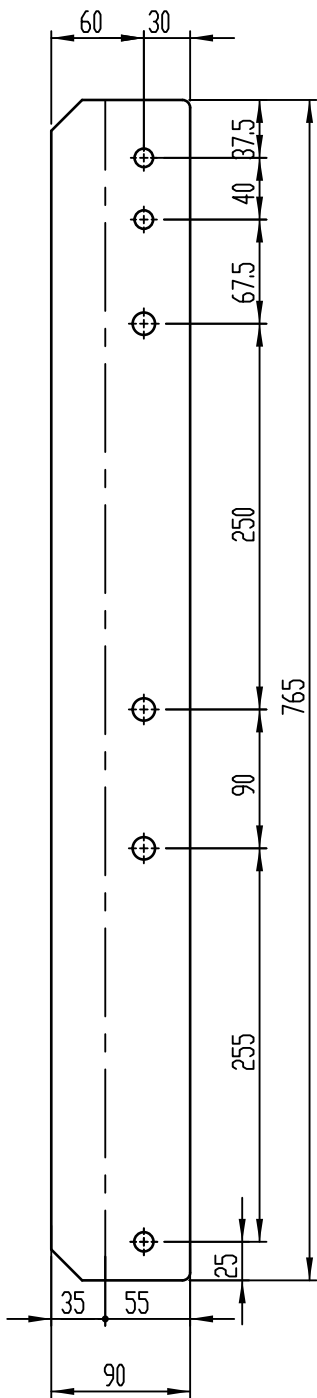


N.DISEGNO - N.DRAWING

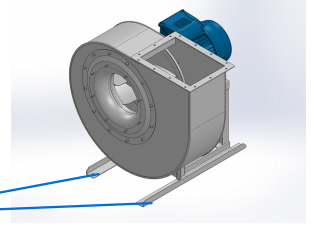
V1EUM501A0012

REV.

00



Sp. 50/10



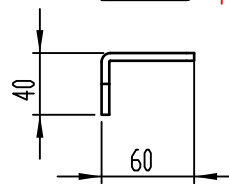
Position Vibration damper

N°3 Foro ϕ 14.5

n°1 PIEGA DX
n°1 PIEGA SX

N°3 Fori ϕ 12.5

Position Vibration damper



COMM.

N°

01	04/12/2019	Adattamento alle sedie nuove		Galiotto M.	De Santi G.
00	24/11/2015	PRIMA EMISSIONE		Galiotto M.	De Santi G.
REV	DATA - DATE	DESCRIZIONE - DESCRIPTION		DISEGNATO PREPARED	APPROVATO APPROVED
DESCRIZIONE - DESCRIPTION		MATERIALE - MATERIAL	NR.FILE	PESD - WEIGHT	
		Fe 360	EUR00068018	Kg 2,64	
DESCRIZIONE - DESCRIPTION			SCALA	DISEGNATO - PREPARED	FORMATO
Staffe per Puffer L=765			1:4,5	Galiotto M.	A4
IEC 132 - 160			DATA	SOSTITUISCE IL - REPLACES THE N°	
			04/12/2019	SOSTITUITO DAL - REPLACES BY N°	
			N.DISEGNO - N.DRAWING		REV.
			STF072501		01

