



Centrifugal fan model APRI, Es.4

Single inlet fan, direct driven with an IEC-standard motor in form B3 which is mounted on a motorbase. This series of high-pressure fans is characterized by a high efficiency with electricity saving by installing a special impeller with backward curved blades. The blades are welded between the back plate disc and the aerodynamically formed front plate. The robust industrial fan is totally made of steel and painted in the agate grey color RAL 7038. The fan is suitable for the transportation of clean and slightly dusty air.

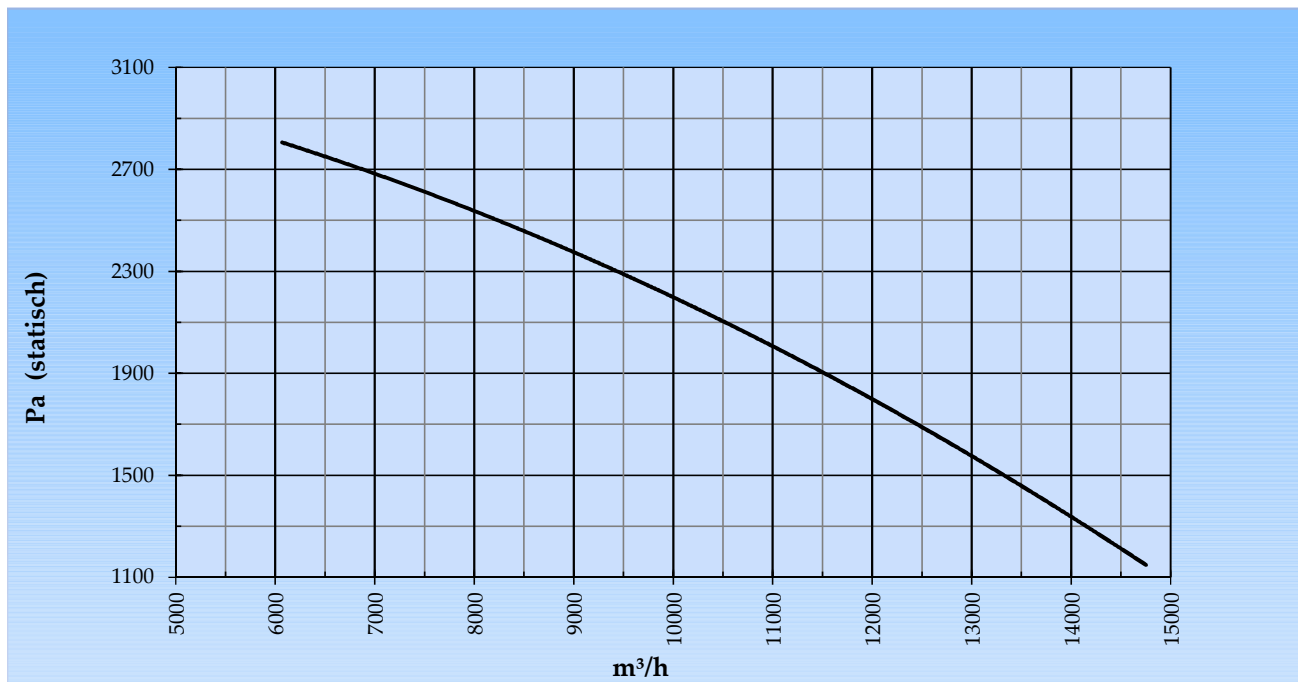
General data:

| | | |
|---|------------|-------------------|
| Drive | direct | |
| Motor position | horizontal | |
| Material casing/base | Steel | |
| Material impeller/hub | Steel | |
| Coating/protection | RAL 7038 | |
| Operating temperature (max.) | 15 (80) | °C |
| Medium density (altitude 0 m) | 1,226 | kg/m ³ |
| Impeller speed | 1.470 | rpm |
| Weight | 350 | kg |
| Sound pressure level ±3 (at 1,5 m near the fan with inlet and outlet ducted, in free field) | 80 | dB(A) |

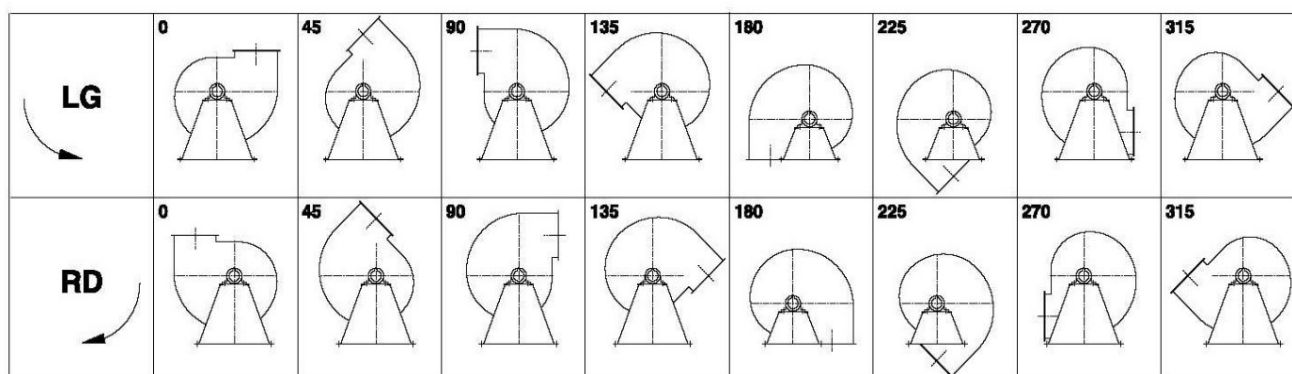
Electric motor:

| | | |
|-------------------|------------|------|
| | 160M | IEC |
| Power | 11,0 | kW |
| Motor speed | 1.470 | rpm |
| Electric supply | 3x400V50Hz | V/Hz |
| Full load current | 20,9 | A |
| Enclosure | 55 | IP |
| Shape | B3T | |
| Efficiency class | IE3 | |

Grafiek APRI 801C @ 1470rpm @ 15°C @ 0m



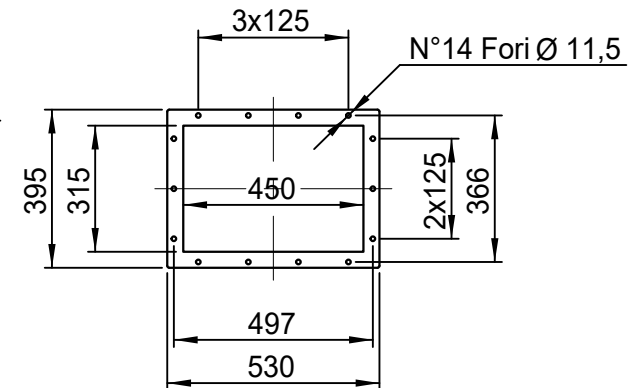
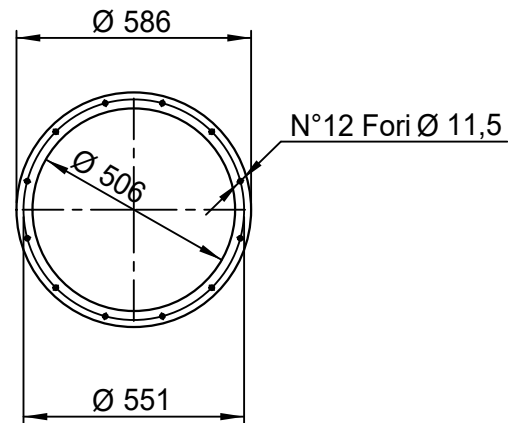
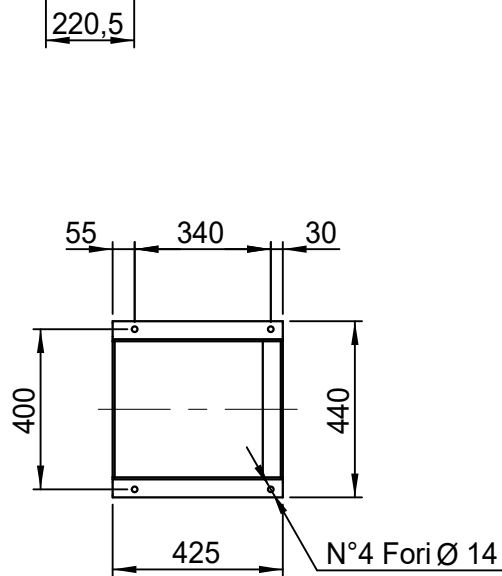
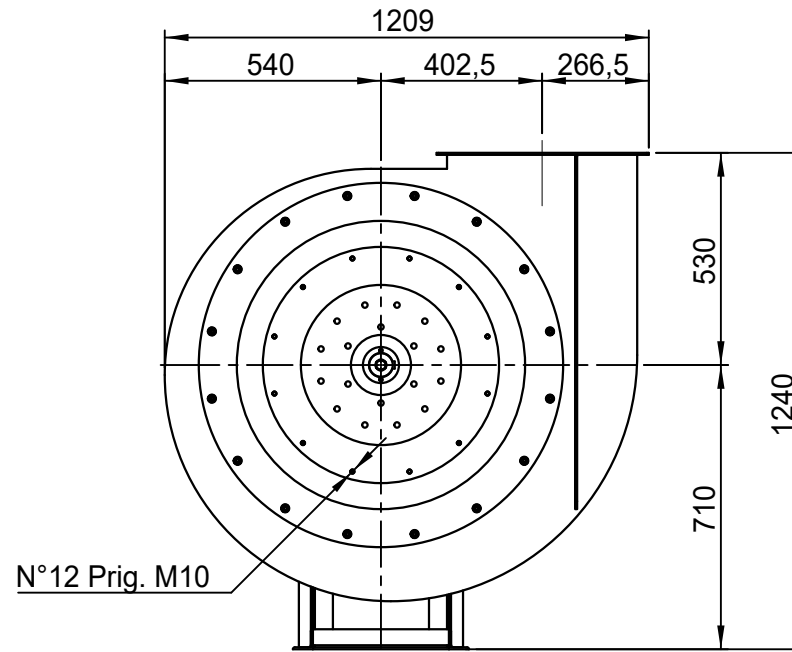
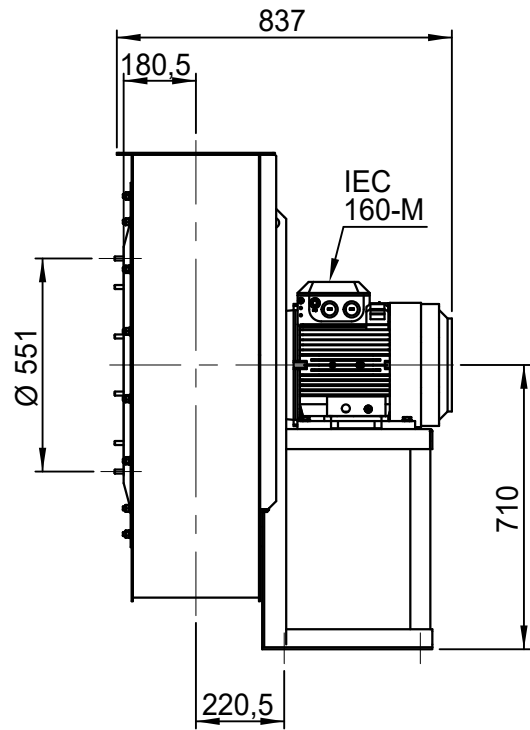
Possible discharge positions:



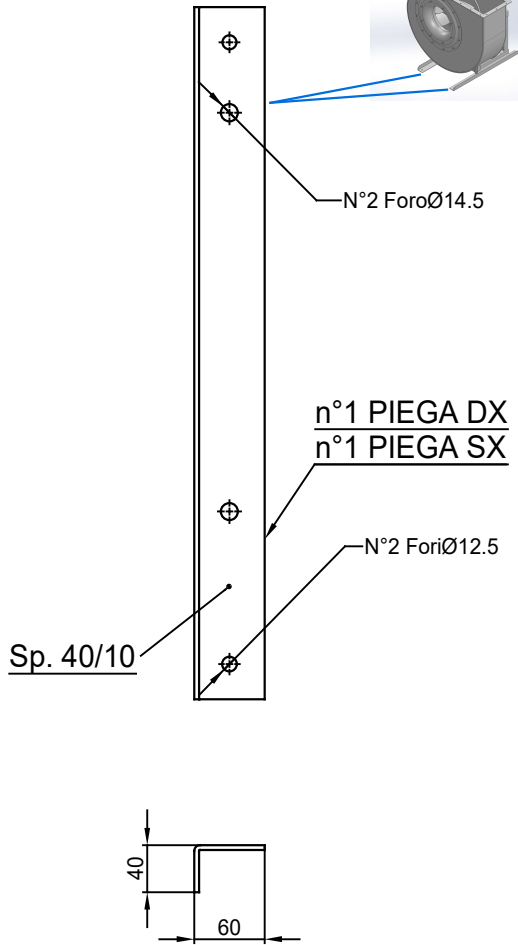
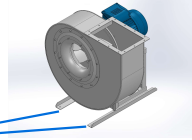
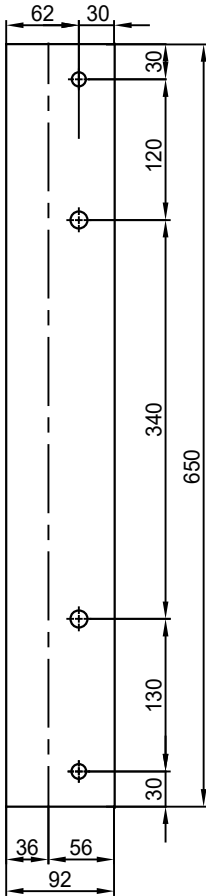
* (Pos 180 and 225 extra price)

Possible accessories

| | |
|---|---------------------------|
| Mounting profiles for load distribution | AP16001ST |
| Counterflange inlet/outlet | |
| Flexible connection inlet/outlet max. 80°C | zzØ 506 / pz 450x315 |
| Anti-vibration mountings | 4x 50x40/B/40° ShA |
| Inspectiondoor | |
| Drain | |
| Shaft seal without asbestos | |
| Coolingwheel (medium max. 150°C) | (incl. coating RAL9006) |
| Flexible connection inlet/outlet max. 150°C | zzØ 506 / pz 450x315 |
| ATEX version | Zone 1 / 2 / 21 / 22 |
| ATEX motor | Ex nA / Exe / Ex de |
| Coating suitable for outdoor application | RAL 5010 / RAL |
| Stainless steel version | 304 / 316 / ... |
| Acoustic enclosure | |



| | | | |
|---------------------------|--|----------------------|---------|
| DESCRIZIONE - DESCRIPTION | SCALA 1:18 | DISEGNATO - PREPARED | FORMATO |
| | DATA 20/03/2015 | Duregotti P. | A4 |
| APRI 801/C - RD 0 | SOSTITUISCE IL - REPLACED THE N° APRI801A411C000 | | |
| | SOSTITUITO DAL - REPLACES BY N° | | |
| Copy 11-2-2020 | N.DISEGNO - N.DRAWING | | REV. |
| | | VAPRI801C0001 | 00 |



COMM.
N°

| | | | | | |
|--|-------------|---------------------------|----------------------------------|---------------|----------------------|
| 00 | 04/02/2016 | PRIMA EMISSIONE | | RK | RK |
| 01 | 16/09/2020 | Extension pedestal | | MvS | MvS |
| REV | DATA - DATE | DESCRIZIONE - DESCRIPTION | | | APPROVATO APPROVED |
| DESCRIZIONE - DESCRIPTION | | MATERIALE - MATERIAL | NR.FILE | PESO - WEIGHT | |
| DESCRIZIONE - DESCRIPTION | | Fe 360 | | Kg | |
| Staffe per Puffer L=650 IEC 160 / AP series | | | SCALA | 1:4.5 | DISEGNATO - PREPARED |
| | | | DATA | 04/02/2016 | RK |
| | | | SOSTITUISCE IL - REPLACED THE N° | | |
| | | | SOSTITUITO DAL - REPLACES BY N° | | |
| N.DISEGNO - N.DRAWING | | | | REV. | |
| STF-AP16001ST | | | | | |
| | | | | 01 | |