

Centrifugal fan model APRI, Es.4

Single inlet fan, direct driven with an IEC-standard motor in form B3 which is mounted on a motorbase. This series of high-pressure fans is characterized by a high efficiency with electricity saving by installing a special impeller with backward curved blades. The blades are welded between the back plate disc and the aerodynamically formed front plate. The robust industrial fan is totally made of steel and painted in the agate grey color RAL 7038. The fan is suitable for the transportation of clean and slightly dusty air.

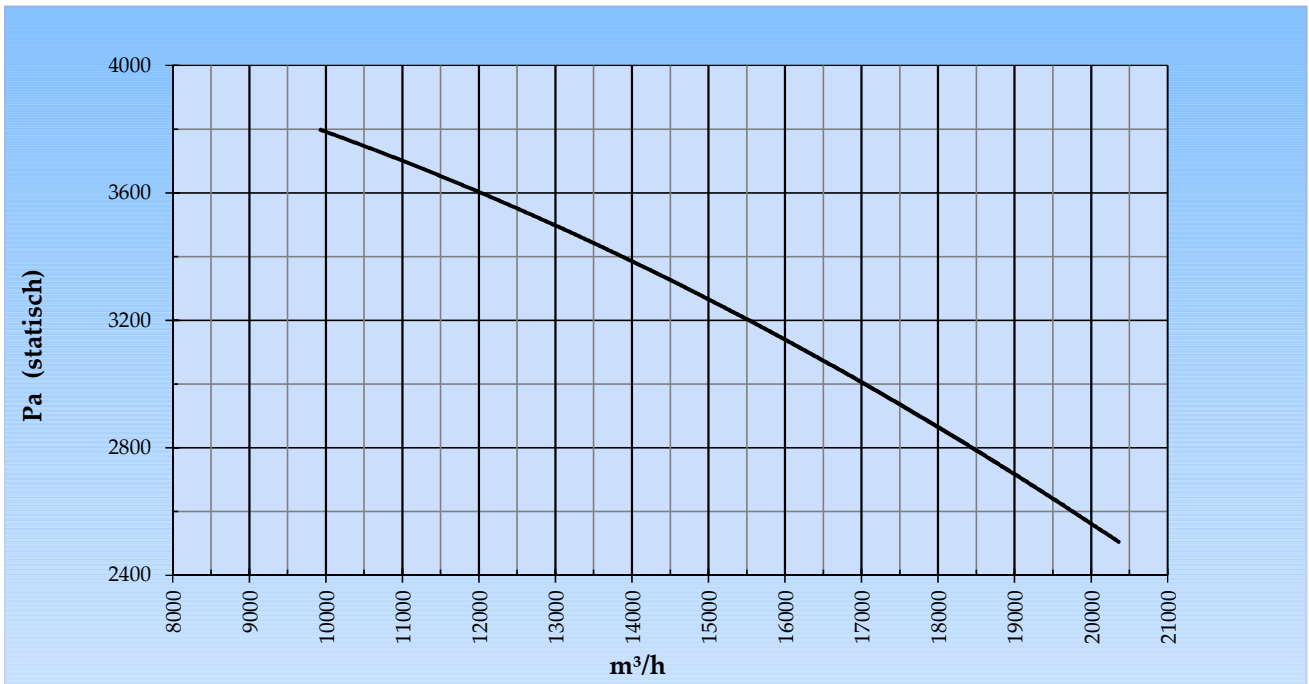
**General data:**

Drive	direct	
Motor position	horizontal	
Material casing/base	Steel	
Material impeller/hub	Steel	
Coating/protection	RAL 7038	
Operating temperature (max.)	15 (80)	°C
Medium density (altitude 0 m)	1,226	kg/m <sup>3</sup>
Impeller speed	1.470	rpm
Weight	590	kg
Sound pressure level ±3 (at 1,5 m near the fan with inlet and outlet ducted, in free field)	84	dB(A)

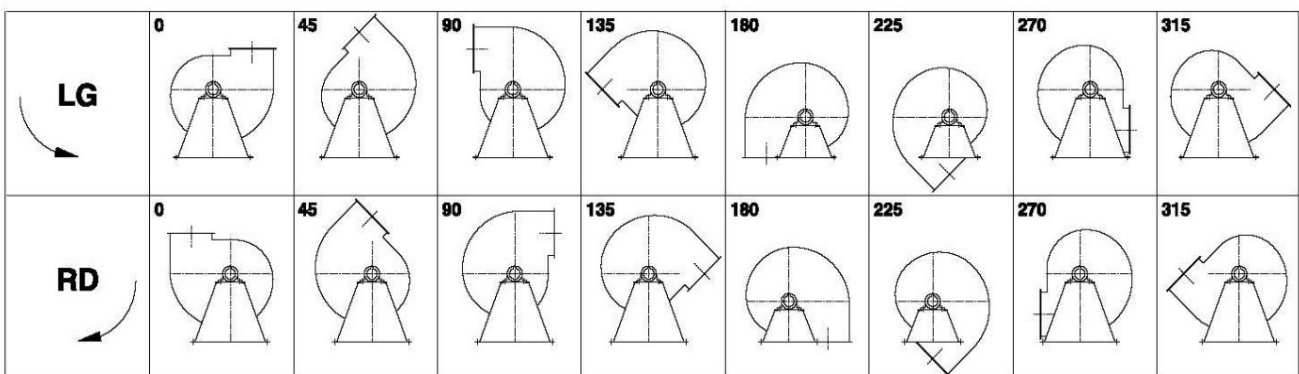
**Electric motor:**

	180L	IEC
Power	22,0	kW
Motor speed	1.470	rpm
Electric supply	3x400V50Hz	V/Hz
Full load current	41,0	A
Enclosure	55	IP
Shape	B3T	
Efficiency class	IE3	

Grafiek APRI 1002C @ 1470rpm @ 15°C @ 0m



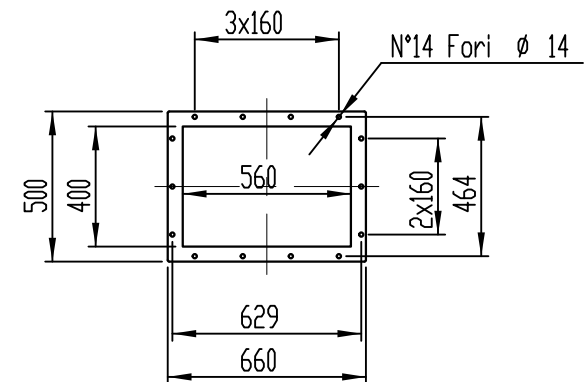
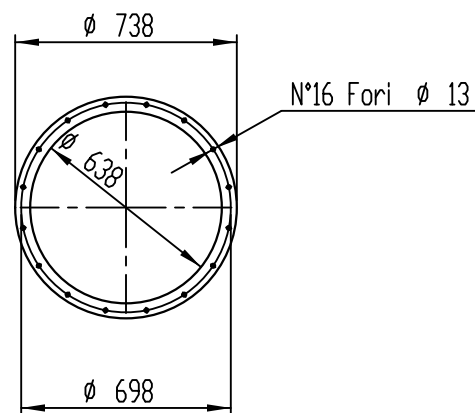
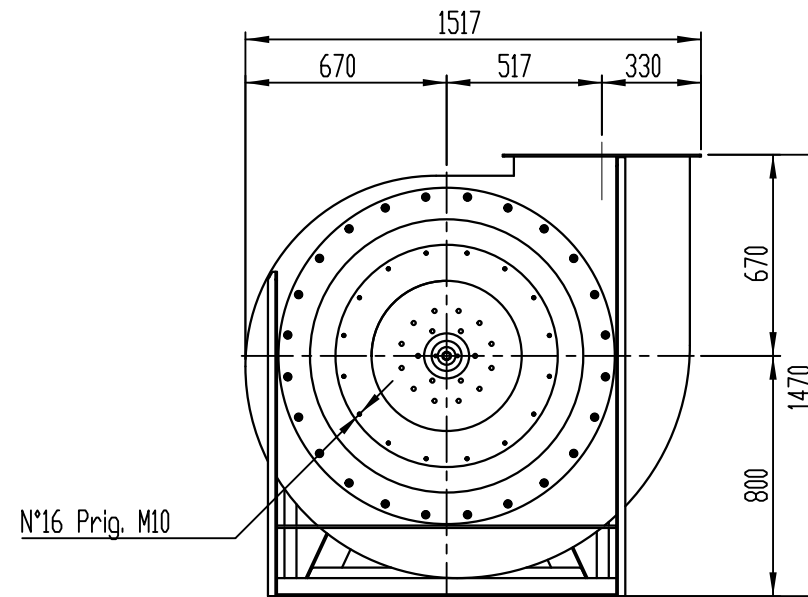
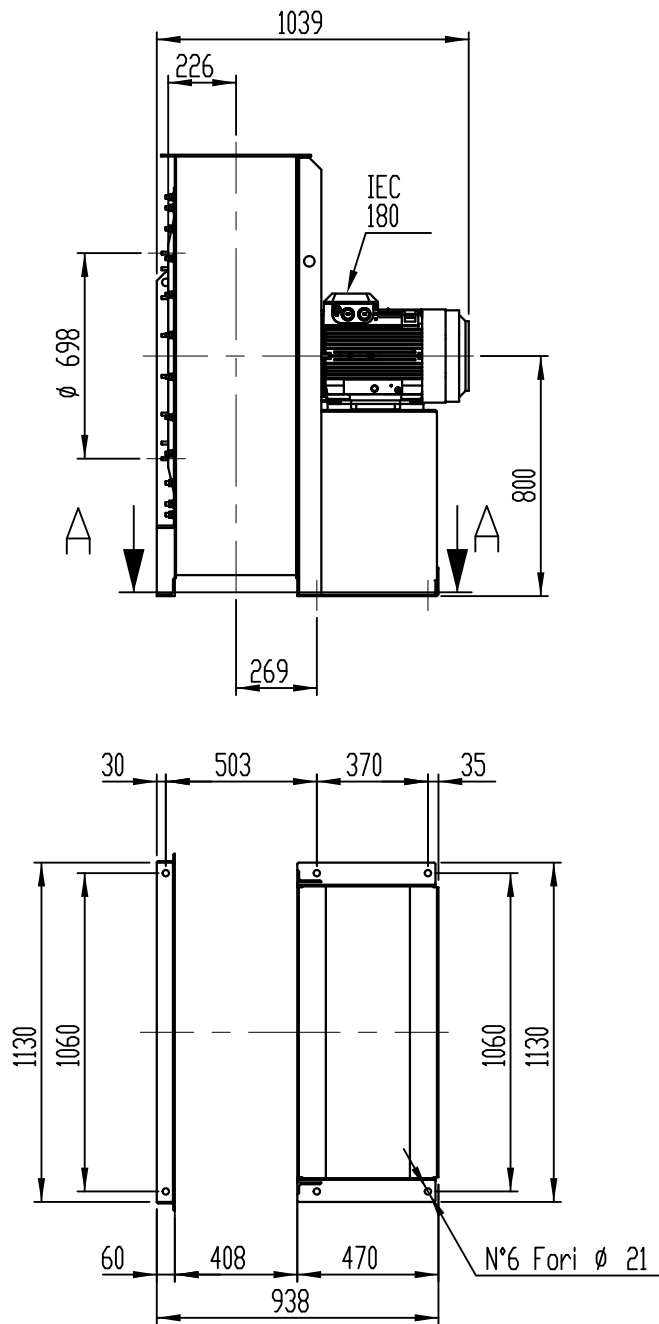
Possible discharge positions:



\* (Pos 180 and 225 extra price)

Possible accessories

Mounting profiles for load distribution	--
Counterflange inlet/outlet	
Flexible connection inlet/outlet max. 80°C	zzØ 638 / pz 560x400
Anti-vibration mountings	6x 70x45/B/40° ShA
Inspectiondoor	
Drain	
Shaft seal without asbestos	
Coolingwheel (medium max. 150°C)	( incl. coating RAL9006 )
Flexible connection inlet/outlet max. 150°C	zzØ 638 / pz 560x400
ATEX version	Zone 1 / 2 / 21 / 22
ATEX motor	Ex nA / Exe / Ex de
Coating suitable for outdoor application	RAL 5010 / RAL ....
Stainless steel version	304 / 316 / ...
Acoustic enclosure	



DESCRIZIONE - DESCRIPTION		SCALA 1:24	DISEGNATO - PREPARED	FORMATO
APRI 1002/C - RD 0		DATA 13/04/2016	Duregotti P.	A4
		SOSTITUISCE IL - REPLACES THE N° APRI1A2A411C000		
Copy 11-2-2020		N.DISEGNO - N.DRAWING		REV.
		VAPRI1A2C0001		00