

Centrifugal fan model APRI, Es.4

Single inlet fan, direct driven with an IEC-standard motor in form B3 which is mounted on a motorbase. This series of high-pressure fans is characterized by a high efficiency with electricity saving by installing a special impeller with backward curved blades. The blades are welded between the back plate disc and the aerodynamically formed front plate. The robust industrial fan is totally made of steel and painted in the agate grey color RAL 7038. The fan is suitable for the transportation of clean and slightly dusty air.

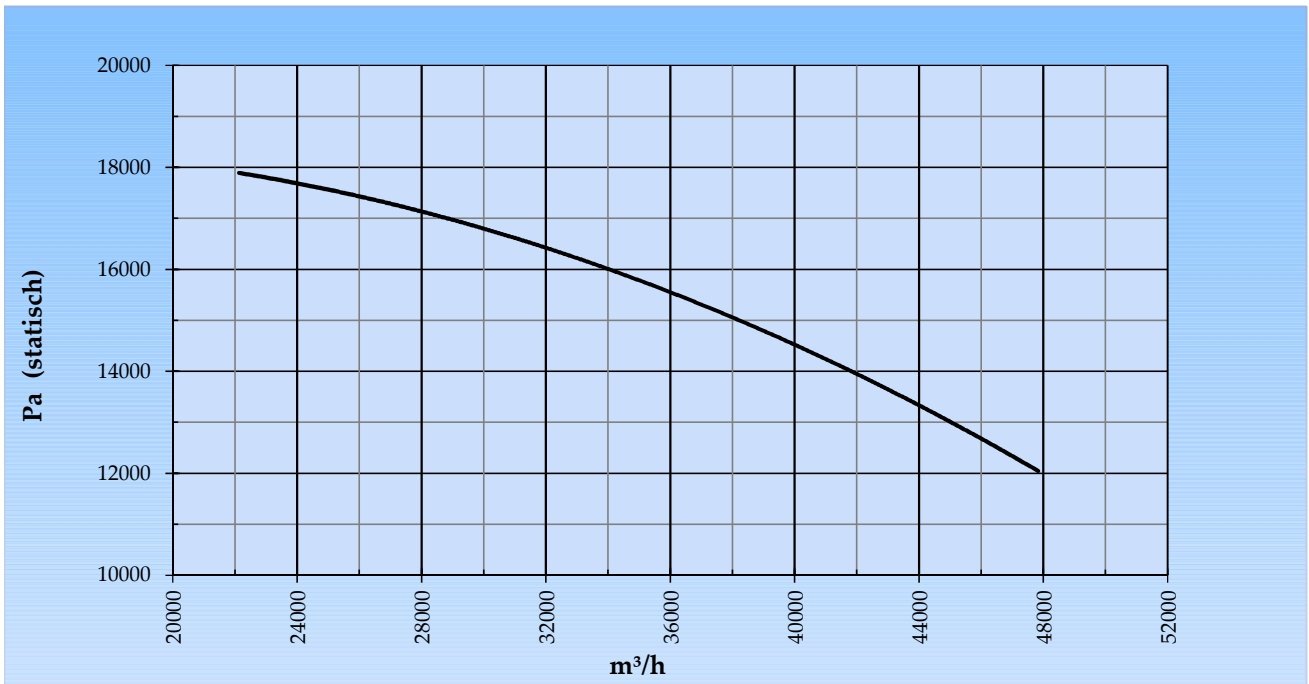
**General data:**

Drive	direct	
Motor position	horizontal	
Material casing/base	Steel	
Material impeller/hub	Steel	
Coating/protection	RAL 7038	
Operating temperature (max.)	15 (80)	°C
Medium density (altitude 0 m)	1,226	kg/m <sup>3</sup>
Impeller speed	2.980	rpm
Weight	2.001	kg
Sound pressure level ±3 (at 1,5 m near the fan with inlet and outlet ducted, in free field)	99	dB(A)

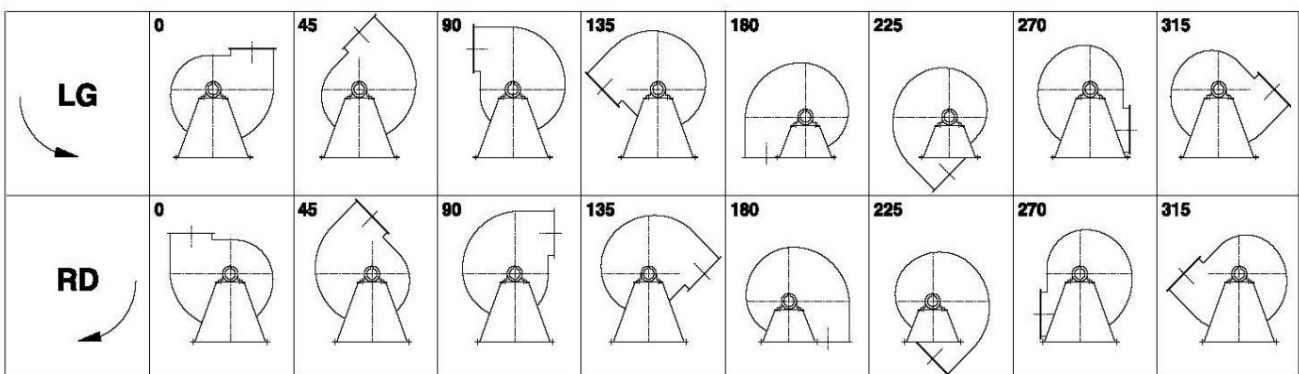
**Electric motor:**

	315L	IEC
Power	220,0	kW
Motor speed	2.980	rpm
Electric supply	3x400V50Hz	V/Hz
Full load current	368,0	A
Enclosure	55	IP
Shape	B3T	
Efficiency class	IE3	

Grafiek APRI 1001A @ 2980rpm @ 15°C @ 0m



Possible discharge positions:



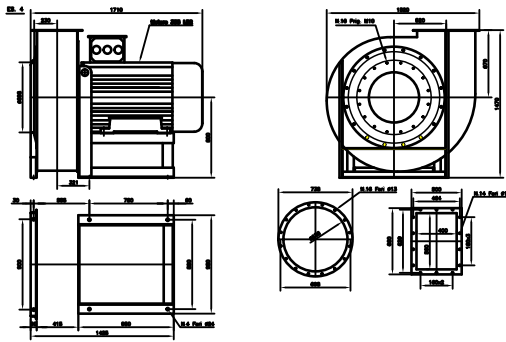
\* (Pos 180 and 225 extra price)

Possible accessories

Mounting profiles for load distribution	--
Counterflange inlet/outlet	
Flexible connection inlet/outlet max. 80°C	zzØ 638 / pz 560x400
Anti-vibration mountings	6x 100x55/B/70° ShA
Inspectiondoor	
Drain	
Shaft seal without asbestos	
Coolingwheel (medium max. 150°C)	( incl. coating RAL9006 )
Flexible connection inlet/outlet max. 150°C	zzØ 638 / pz 560x400
ATEX version	Zone 1 / 2 / 21 / 22
ATEX motor	Ex nA / Exe / Ex de
Coating suitable for outdoor application	RAL 5010 / RAL ....
Stainless steel version	304 / 316 / ...
Acoustic enclosure	

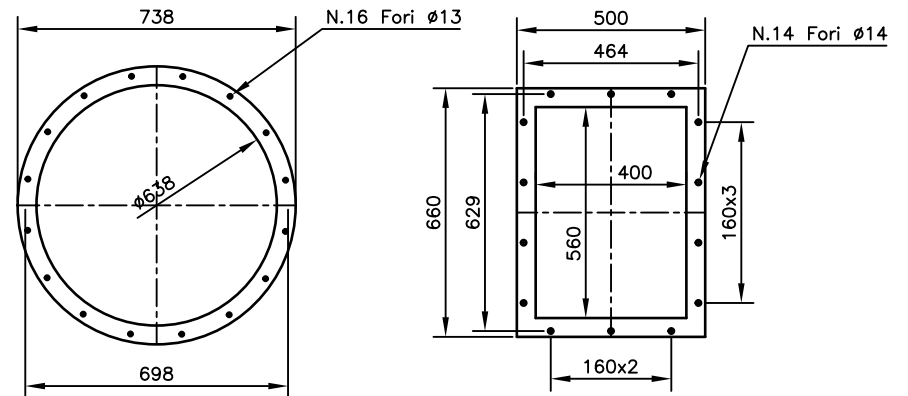
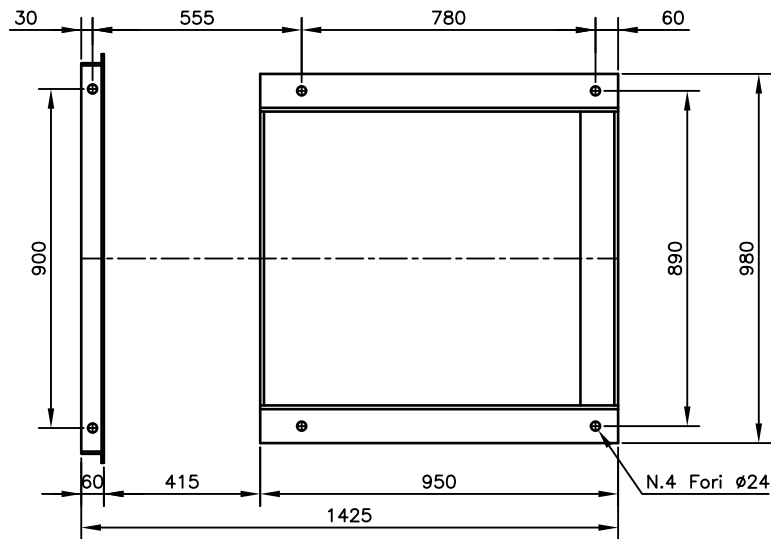
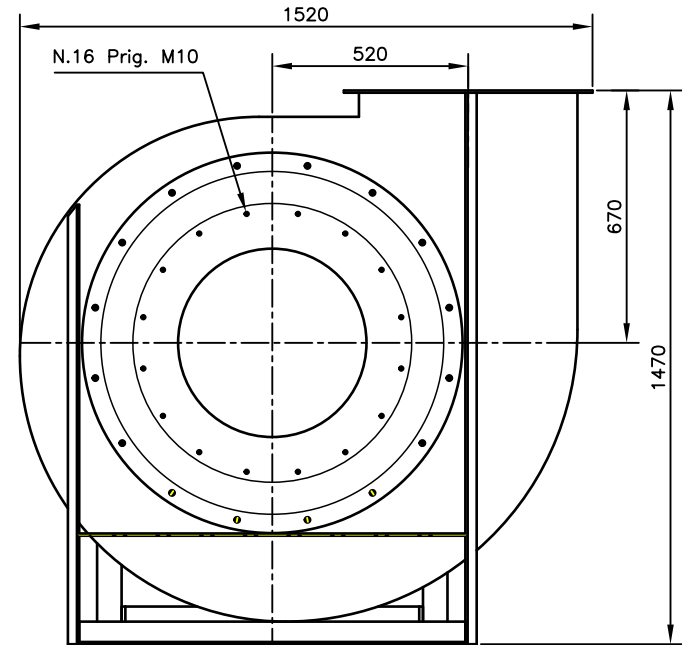
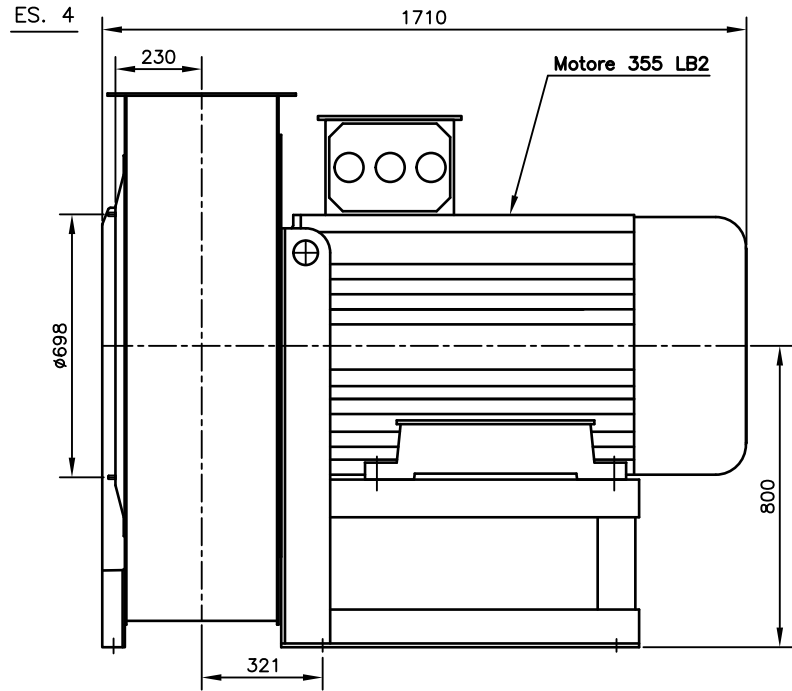
APRI 1001/A

- Il ventilatore non è orientabile  
The fan is not revolvable
- Peso ventilatore completo di motore (es.4) = 1750 Kg  
Fan weight with motor (esec.4)
- PD: (GD) = 38 Kgm



Orientamenti secondo norme UNI 7972 (viste lato motore)  
 UNI 7972 rules orientations (motor side)  
 Orientations normes UNI 7972 (vues coté moteur)  
 Ventilator Gehäusestellungen nach UNI 7972 norm (fon der motor aus gesehen)  
 Orientaciönes normas UNI 7972 (vistas desde el lado de motor)

Rotazione oraria Rotation à droite Clockwise rotation Drehung im Uhrzeigersinn Rotación hacia la derecha	RD 0	RD 45	RD 90	RD 135	RD 180	RD 225	RD 270	RD 315
Rotazione antioraria Rotation à gauche Counter clockwise rotation Drehung gegen den Uhrzeigersinn Rotación hacia la izquierda	LG 0	LG 45	LG 90	LG 135	LG 180	LG 225	LG 270	LG 315



DESCRIZIONE APRI 1001-A RDO Es.4 Mot.355 LB2	SCALA: 1:19	PESO: kg .	FORMATO: A4
	DATA: .		
	DISEGNATO: .		