

The centrifugal fan type APRG is a single inlet fan, direct driven and equipped with blades curved backwards. This robust industrial fan is suitable for moving clean to slightly dust-laden air. Its temperature should not exceed 80°C, or 150°C with a cooling fan. The standard version of this fan is made of steel and provided with a coating in the color agate gray RAL 7038.

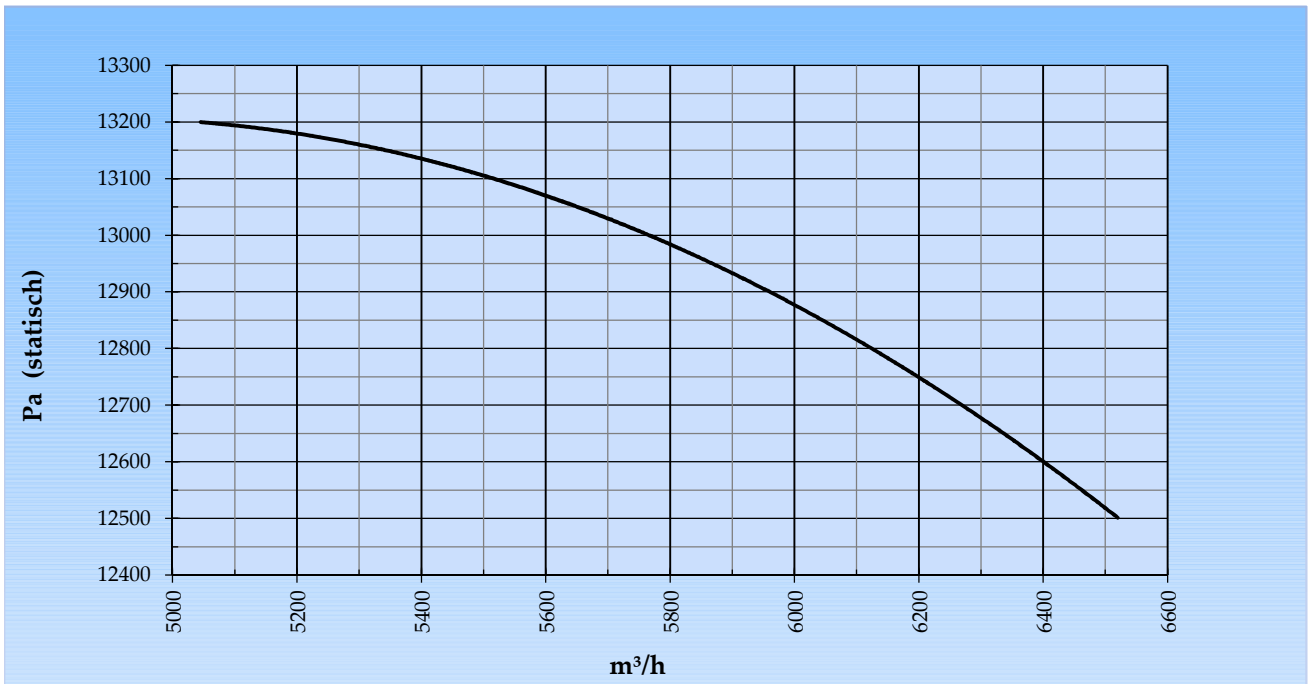
### General data:

Drive	direct	
Motor position	horizontal	
Material casing/base	Steel	
Material impeller/hub	Steel	
Coating/protection	RAL 7038	
Operating temperature (max.)	15 (80)	°C
Medium density (altitude 0 m)	1,226	kg/m <sup>3</sup>
Impeller speed	2.965	rpm
Weight	465	kg
Sound pressure level ±3 (at 1,5 m near the fan with inlet and outlet ducted, in free field)	91	dB(A)

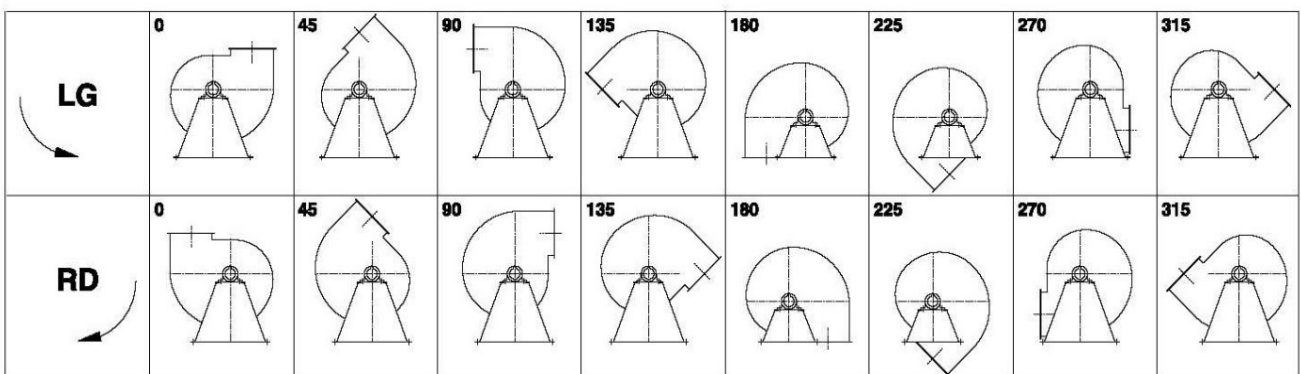
### Electric motor:

	200L	IEC
Power	30,0	kW
Motor speed	2.965	rpm
Electric supply	3x400V50Hz	V/Hz
Full load current	54,5	A
Enclosure	55	IP
Shape	B3T	
Efficiency class	IE3	

Curve APRG 801A @ 2965rpm @ 15°C @ 0m



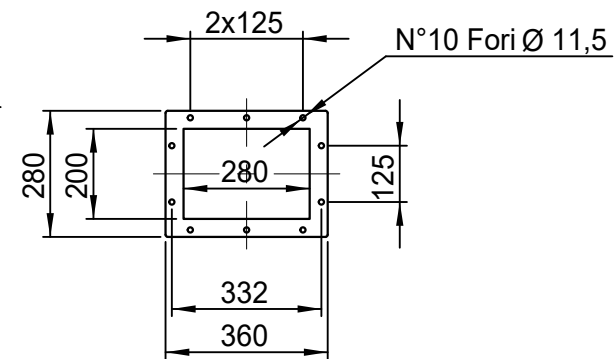
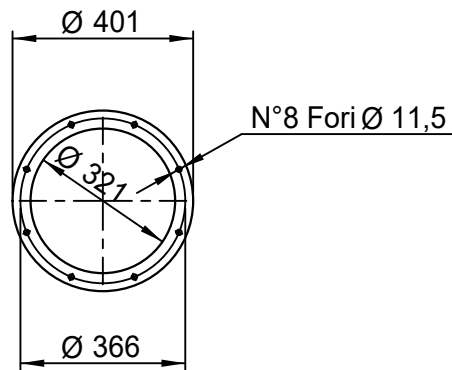
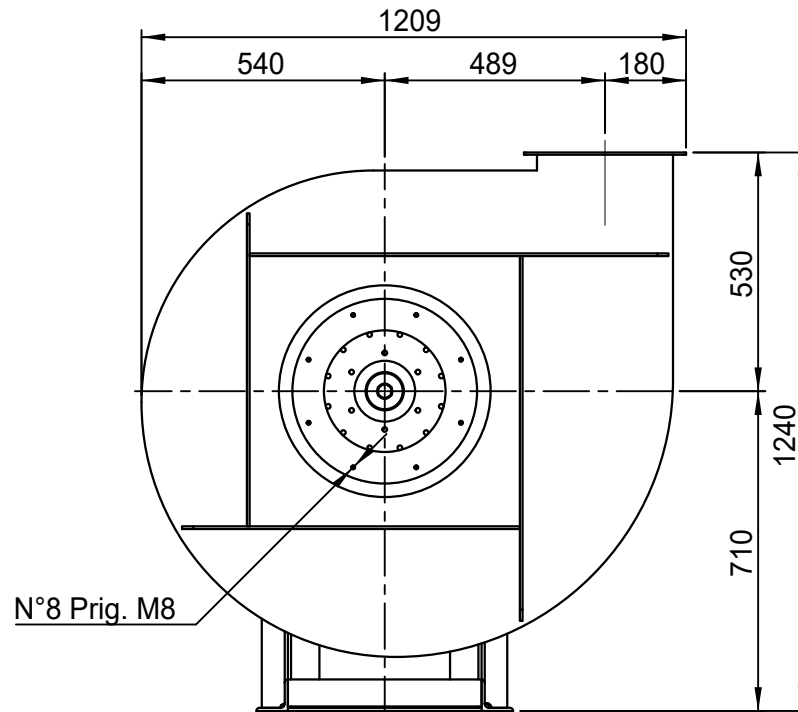
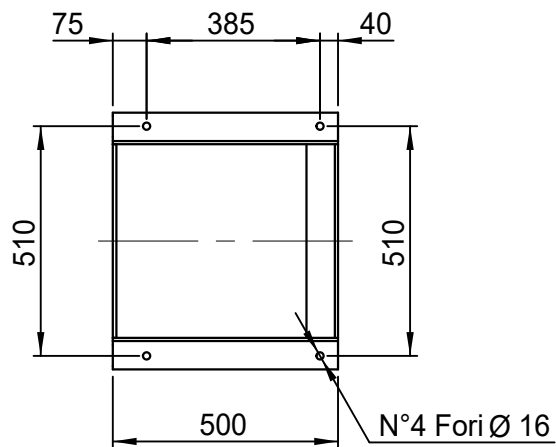
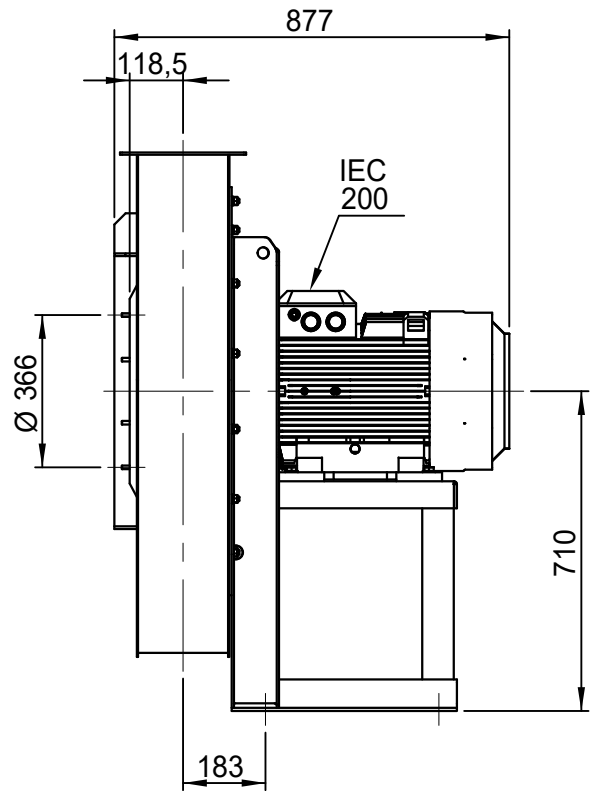
Possible discharge positions:



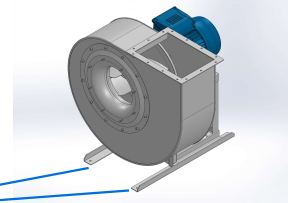
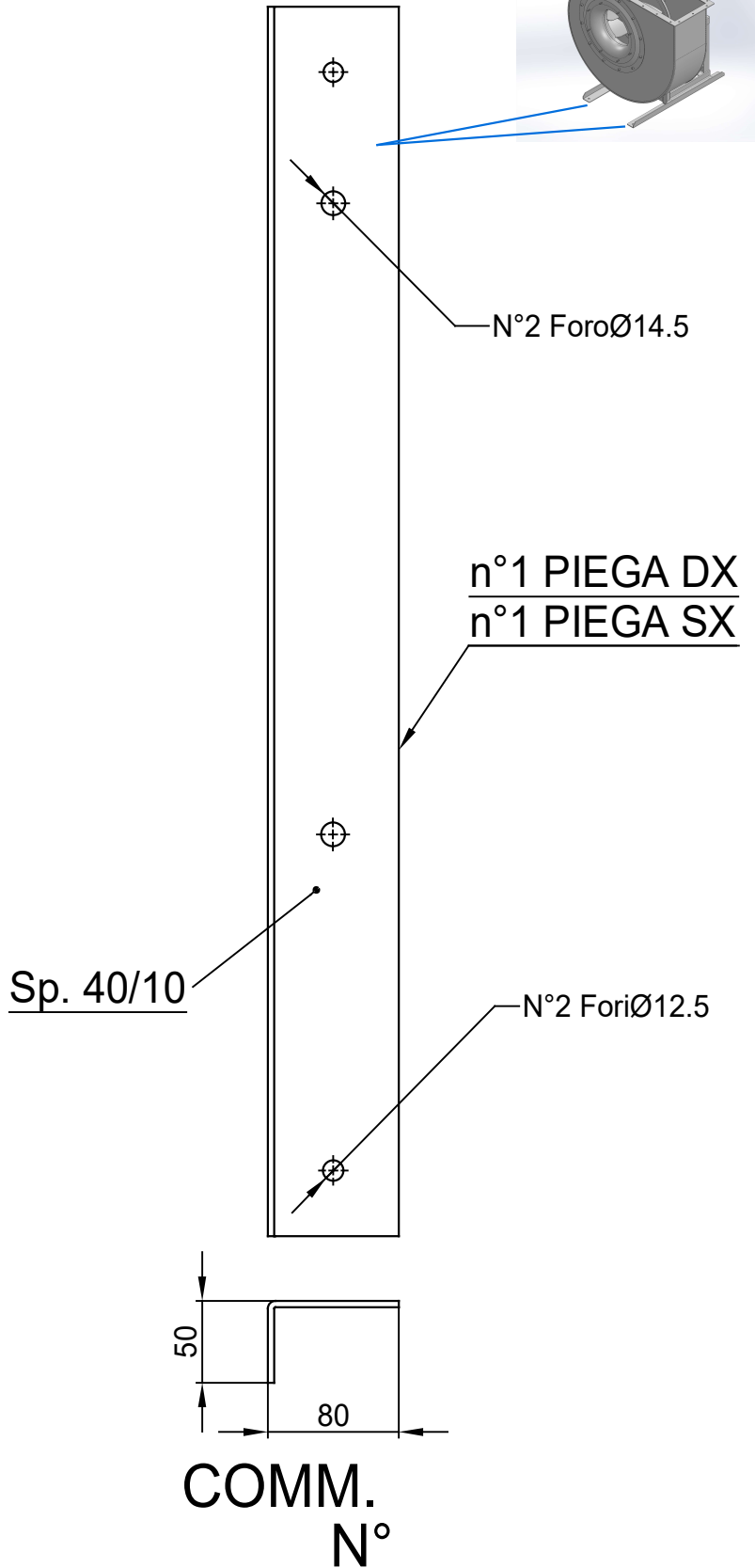
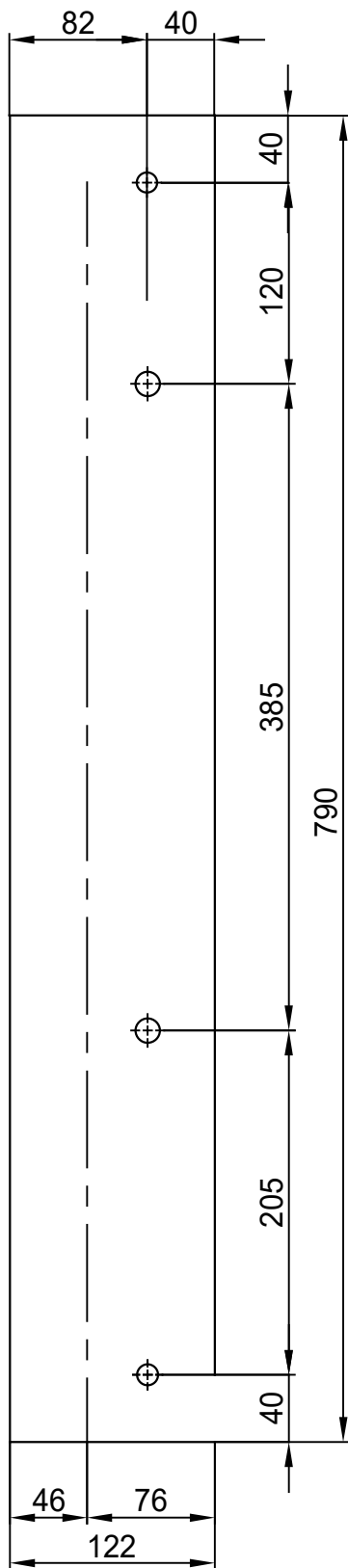
\* (Pos 180 and 225 extra price)

Possible accessories

Mounting profiles for load distribution	AP20001ST
Counterflange inlet/outlet	
Flexible connection inlet/outlet max. 80°C	zzØ 321 / pz 280x200
Anti-vibration mountings	4x 70x45/B/70° ShA
Inspectiondoor	
Drain	
Shaft seal without asbestos	
Coolingwheel (medium max. 150°C)	( incl. coating RAL9006 )
Flexible connection inlet/outlet max. 150°C	zzØ 321 / pz 280x200
ATEX version	Zone 1 / 2 / 21 / 22
ATEX motor	Ex nA / Exe / Ex de
Coating suitable for outdoor application	RAL 5010 / RAL ....
Stainless steel version	304 / 316 / ...
Acoustic enclosure	



DESCRIZIONE - DESCRIPTION	SCALA	1:16	DISEGNATO - PREPARED	FORMATO
	DATA	02/03/2015	Duregotti P.	A4
APRG 801/A - RD 0	SOSTITUISCE IL - REPLACED THE N° APRG801A411A000			
	SOSTITUITO DAL - REPLACES BY N°			
Copy 10-2-2020	N.DISEGNO - N.DRAWING			REV.
		VAPRG801A0004		00



00	04/02/2016	PRIMA EMISSIONE	RK	RK
REV	DATA - DATE	DESCRIZIONE - DESCRIPTION	DISEGNATO PREPARED	APPROVATO APPROVED
DESCRIZIONE - DESCRIPTION		MATERIALE - MATERIAL	NR.FILE	PESO - WEIGHT
		Fe 360		Kg
DESCRIZIONE - DESCRIPTION		SCALA	DISEGNATO - PREPARED	FORMATO
Staffe per Puffer L=750 IEC 200 / AP series		1:4.5	RK	A4
		SOSTITUISCE IL - REPLACES THE N°		
		SOSTITUITO DAL - REPLACES BY N°		
N.DISEGNO - N.DRAWING			REV.	
STF-AP20001ST			01	