

The centrifugal fan type APRG is a single inlet fan, direct driven and equipped with blades curved backwards. This robust industrial fan is suitable for moving clean to slightly dust-laden air. Its temperature should not exceed 80°C, or 150°C with a cooling fan. The standard version of this fan is made of steel and provided with a coating in the color agate gray RAL 7038.

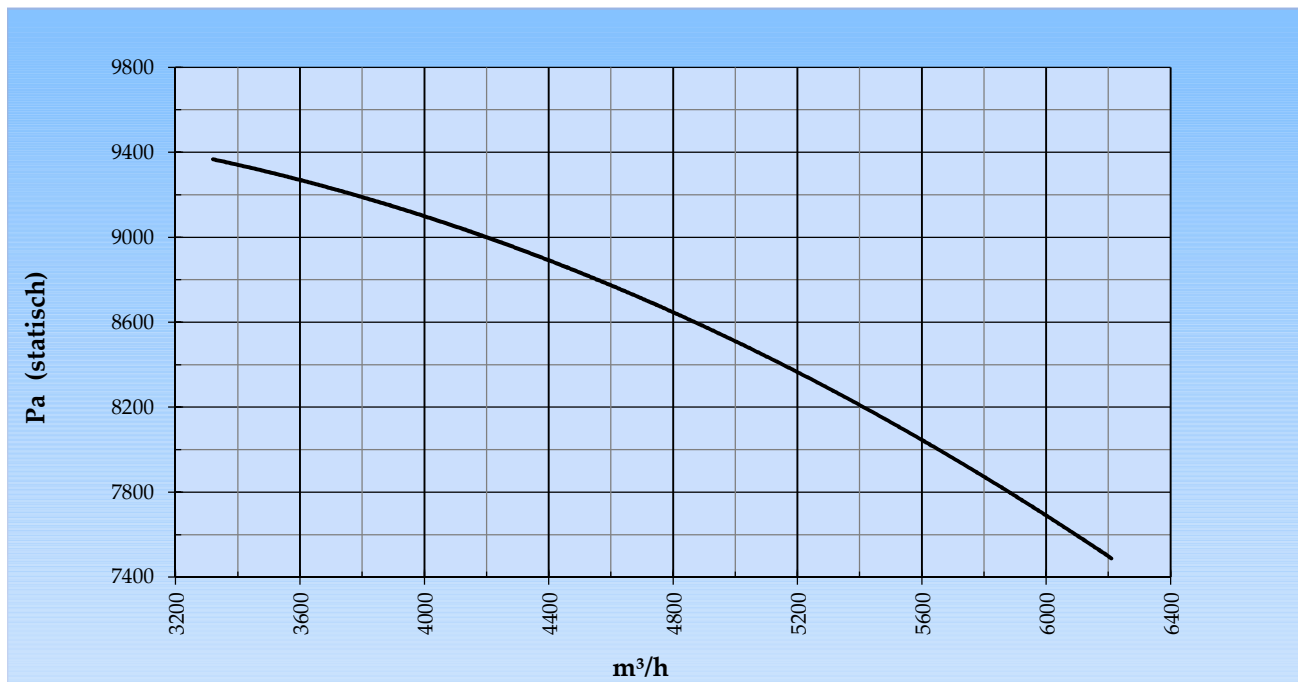
### General data:

|   |            |                   |
|---|------------|-------------------|
| Drive   | direct     |                   |
| Motor position  | horizontal |                   |
| Material casing/base  | Steel      |                   |
| Material impeller/hub   | Steel      |                   |
| Coating/protection  | RAL 7038   |                   |
| Operating temperature (max.)  | 15 (80)    | °C                |
| Medium density (altitude 0 m)   | 1,226      | kg/m <sup>3</sup> |
| Impeller speed  | 2.945      | rpm               |
| Weight  | 300        | kg                |
| Sound pressure level ±3<br>(at 1,5 m near the fan with inlet<br>and outlet ducted, in free field) | 87         | dB(A)             |

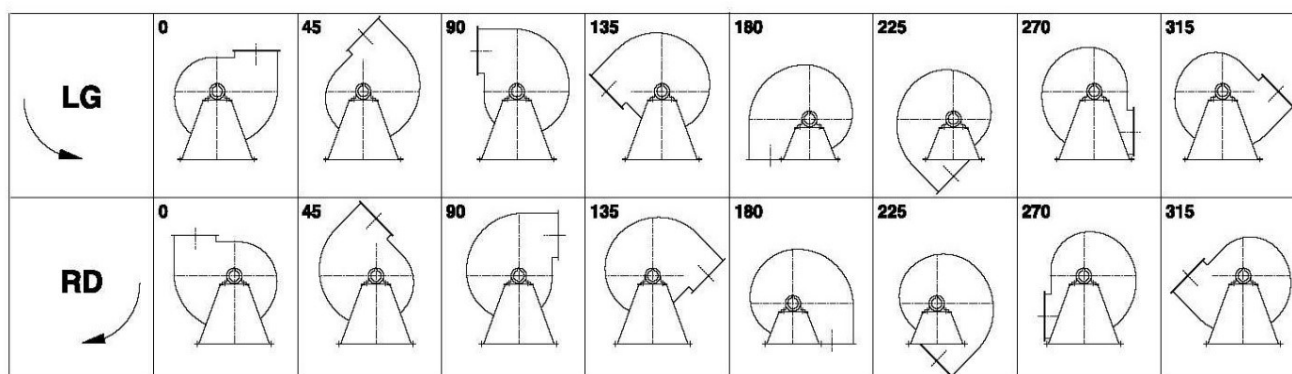
### Electric motor:

|                   |            |      |
|-------------------|------------|------|
|                   | 160L       | IEC  |
| Power             | 18,5       | kW   |
| Motor speed       | 2.945      | rpm  |
| Electric supply   | 3x400V50Hz | V/Hz |
| Full load current | 33,9       | A    |
| Enclosure         | 55         | IP   |
| Shape             | B3T        |      |
| Efficiency class  | IE3        |      |

Curve APRG 712B @ 2945rpm @ 15°C @ 0m



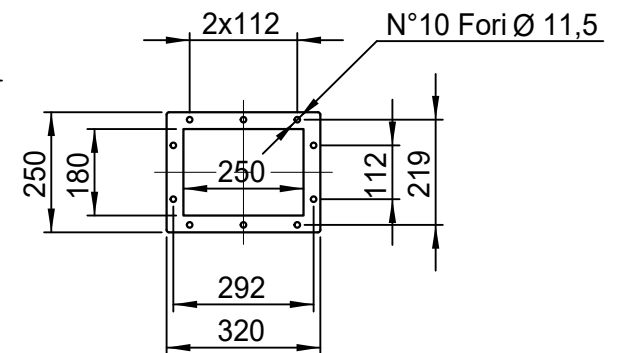
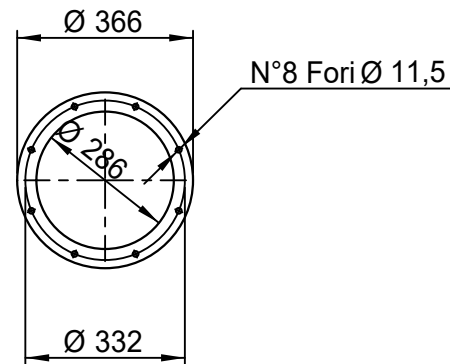
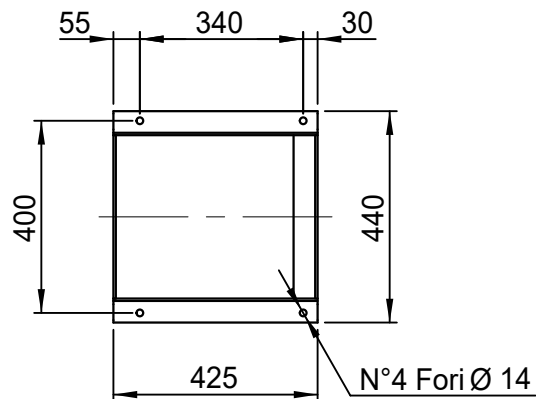
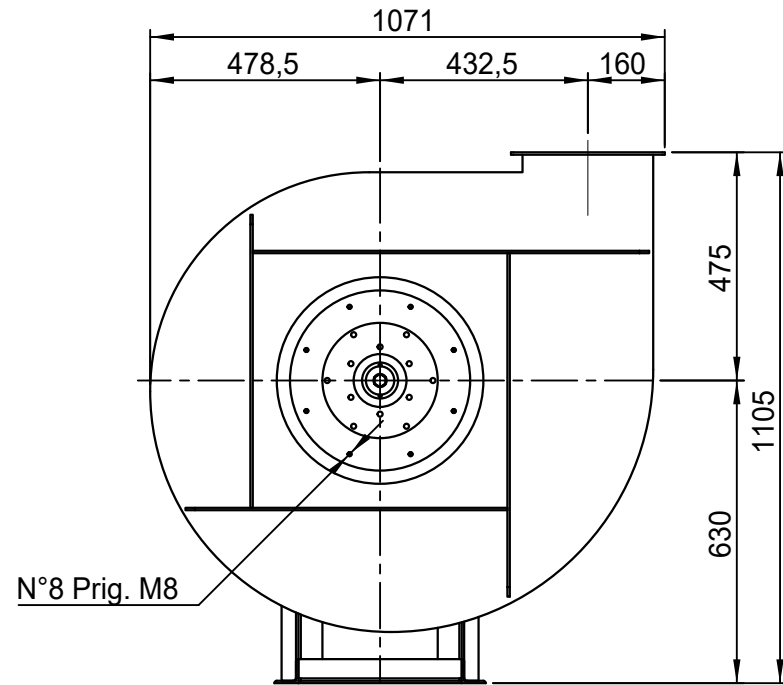
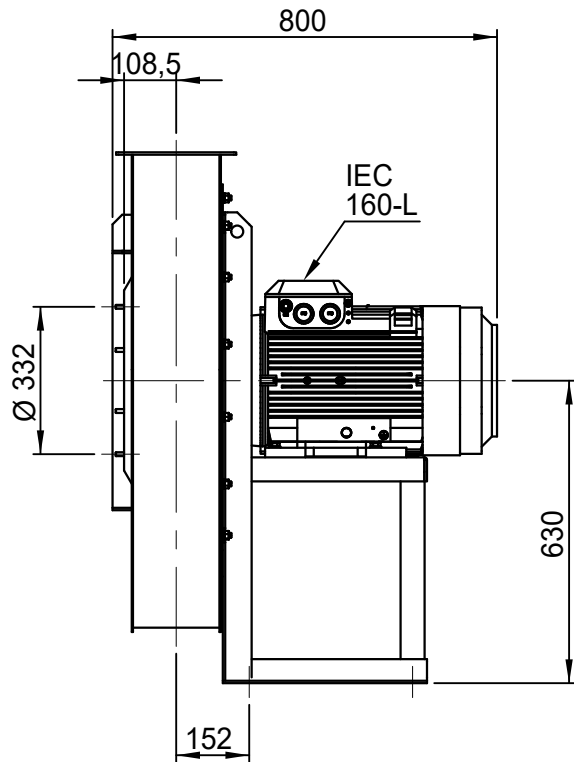
Possible discharge positions:



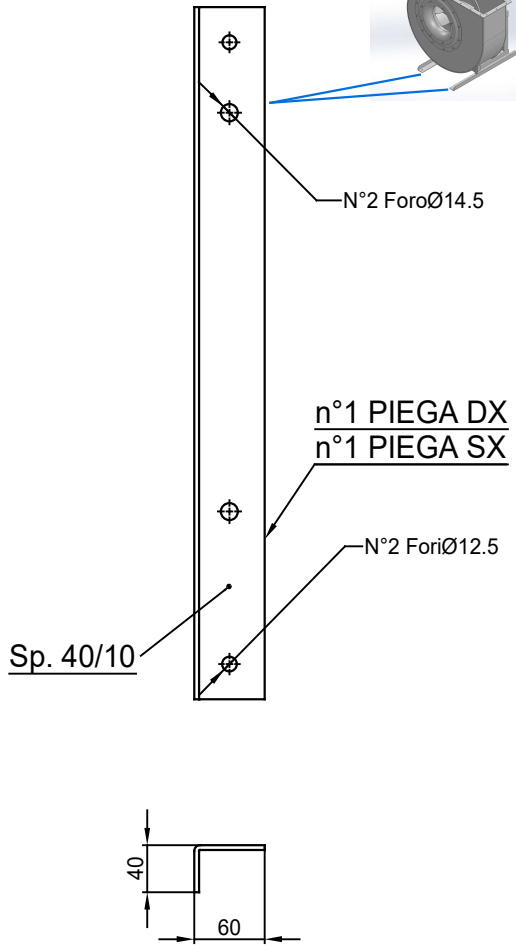
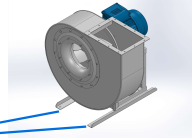
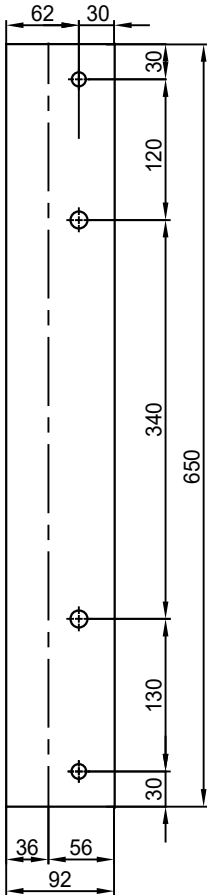
\* (Pos 180 and 225 extra price)

Possible accessories

|   |                           |
|---|---------------------------|
| Mounting profiles for load distribution     | AP16001ST                 |
| Counterflange inlet/outlet                  |                           |
| Flexible connection inlet/outlet max. 80°C  | zzØ 286 / pz 250x180      |
| Anti-vibration mountings                    | 4x 50x40/B/70° ShA        |
| Inspectiondoor                              |                           |
| Drain                                       |                           |
| Shaft seal without asbestos                 |                           |
| Coolingwheel (medium max. 150°C)            | ( incl. coating RAL9006 ) |
| Flexible connection inlet/outlet max. 150°C | zzØ 286 / pz 250x180      |
| ATEX version                                | Zone 1 / 2 / 21 / 22      |
| ATEX motor                                  | Ex nA / Exe / Ex de       |
| Coating suitable for outdoor application    | RAL 5010 / RAL ....       |
| Stainless steel version                     | 304 / 316 / ...           |
| Acoustic enclosure                          |                           |



|                                 |  |                     |               |
|---------------------------------|--|---------------------|---------------|
| DESCRIZIONE - DESCRIPTION       | SCALA 1:15                                       | DISGNATO - PREPARED | FORMATO       |
|                                 | DATA 02/03/2015                                  | Duregotti P.        | A4            |
|                                 | SOSTITUISCE IL - REPLACED THE N° APRG712A411B000 |                     |               |
| SOSTITUITO DAL - REPLACES BY N° |  |                     | REV.          |
| Copy 10-2-2020                  |  |                     | VAPRG712B0005 |
| N.DISEGNO - N.DRAWING           |  |                     | 00            |



COMM.  
N°

|                           |             |                           |                                  |                      |                    |
|---------------------------|-------------|---------------------------|----------------------------------|----------------------|--------------------|
| 00                        | 04/02/2016  | PRIMA EMISSIONE           |                                  | RK                   | RK                 |
| 01                        | 16/09/2020  | Extension pedestal        |                                  | MvS                  | MvS                |
| REV                       | DATA - DATE | DESCRIZIONE - DESCRIPTION |                                  |                      | APPROVATO APPROVED |
| DESCRIZIONE - DESCRIPTION |             | MATERIALE - MATERIAL      | NR.FILE                          | PESO - WEIGHT        |                    |
|                           |             | Fe 360                    |                                  | Kg                   |                    |
| DESCRIZIONE - DESCRIPTION |             |                           | SCALA 1:4.5                      | DISEGNATO - PREPARED | FORMATO            |
| Staffe per Puffer L=650   |             |                           | DATA 04/02/2016                  | RK                   | A4                 |
| IEC 160 / AP series       |             |                           | SOSTITUISCE IL - REPLACED THE N° |                      |                    |
|                           |             |                           | SOSTITUITO DAL - REPLACES BY N°  |                      |                    |
| N.DISEGNO - N.DRAWING     |             |                           |                                  | REV.                 |                    |
| STF-AP16001ST             |             |                           |                                  |                      |                    |
|                           |             |                           |                                  | 01                   |                    |