

The centrifugal fan type APRG is a single inlet fan, direct driven and equipped with blades curved backwards. This robust industrial fan is suitable for moving clean to slightly dust-laden air. Its temperature should not exceed 80°C, or 150°C with a cooling fan. The standard version of this fan is made of steel and provided with a coating in the color agate gray RAL 7038.

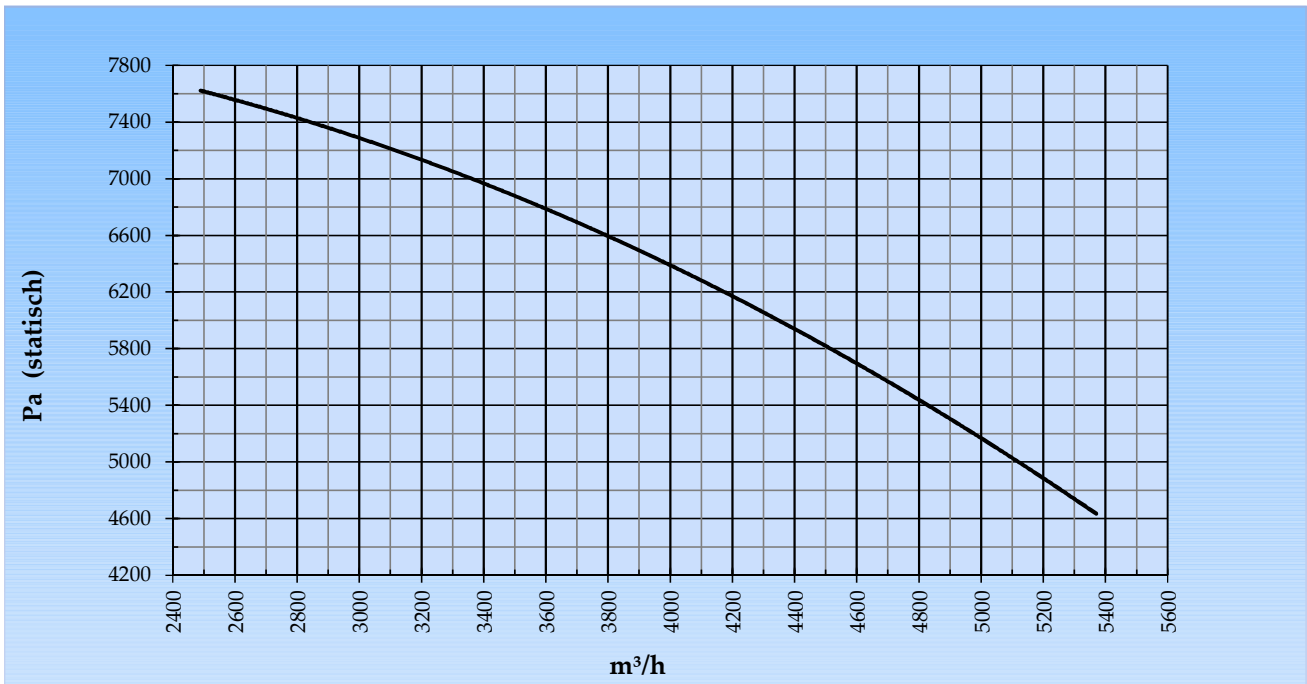
**General data:**

Drive	direct	
Motor position	horizontal	
Material casing/base	Steel	
Material impeller/hub	Steel	
Coating/protection	RAL 7038	
Operating temperature (max.)	15 (80)	°C
Medium density (altitude 0 m)	1,226	kg/m <sup>3</sup>
Impeller speed	2.950	rpm
Weight	231	kg
Sound pressure level ±3 (at 1,5 m near the fan with inlet and outlet ducted, in free field)	86	dB(A)

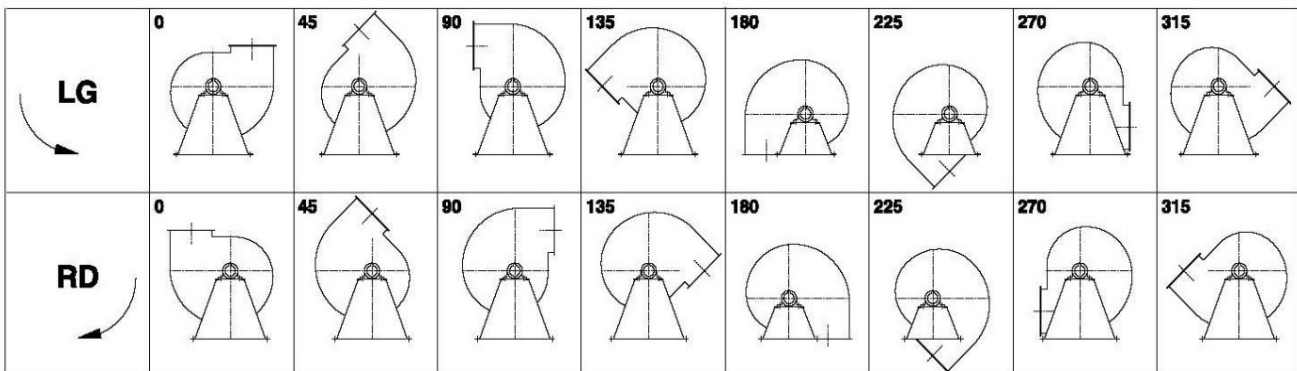
**Electric motor:**

	160M	IEC
Power	11,0	kW
Motor speed	2.950	rpm
Electric supply	3x400V50Hz	V/Hz
Full load current	20,0	A
Enclosure	55	IP
Shape	B3T	
Efficiency class	IE3	

Curve APRG 632C @ 2950rpm @ 15°C @ 0m



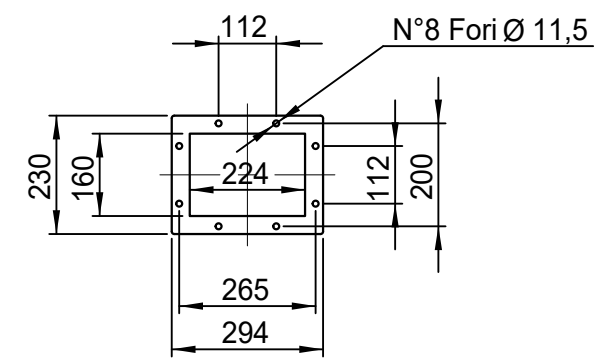
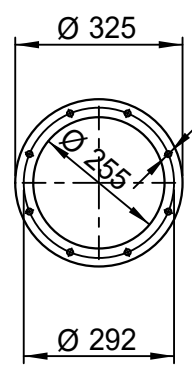
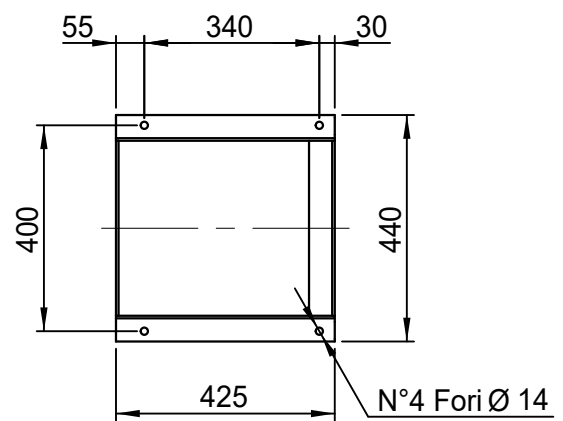
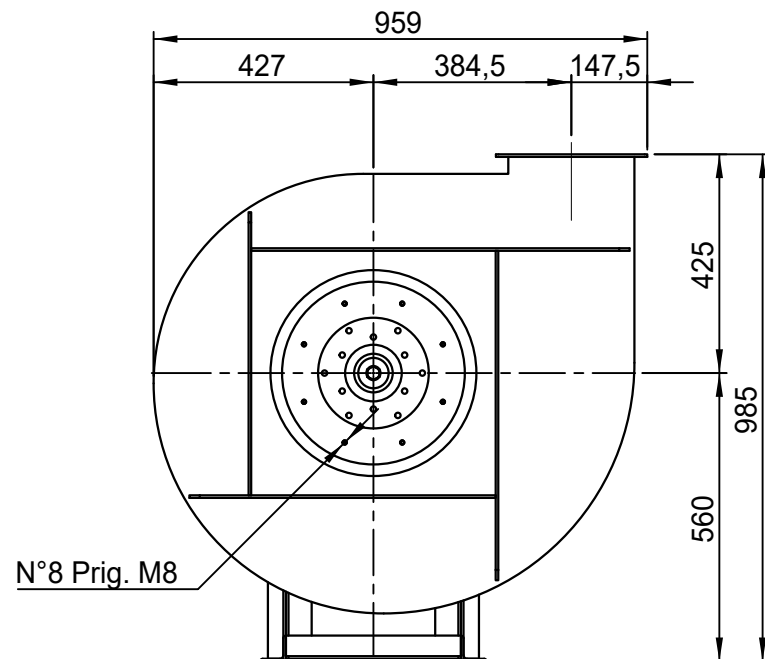
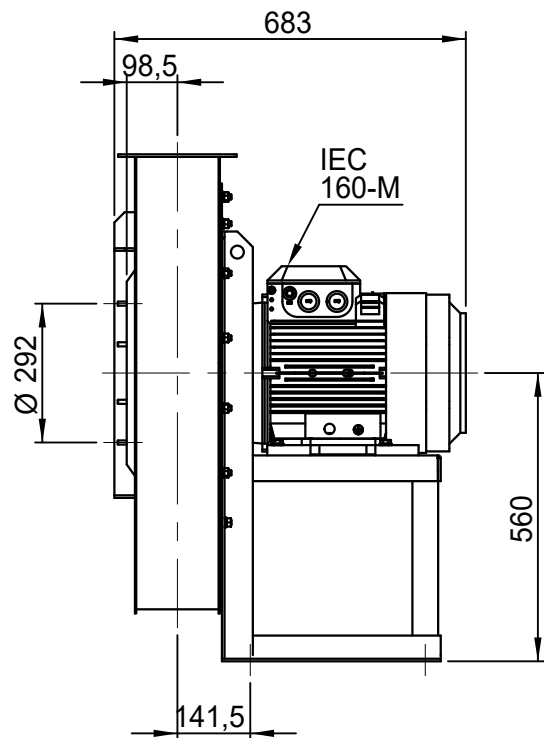
Possible discharge positions:



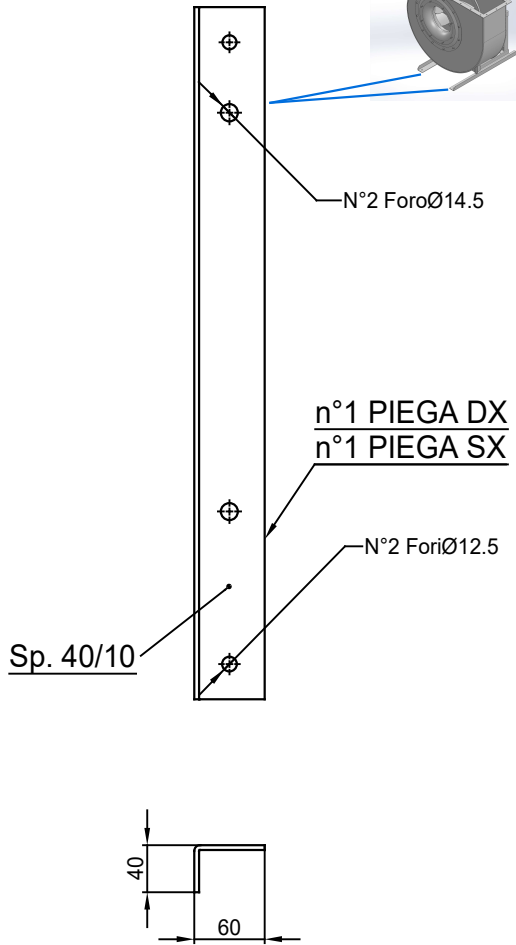
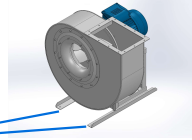
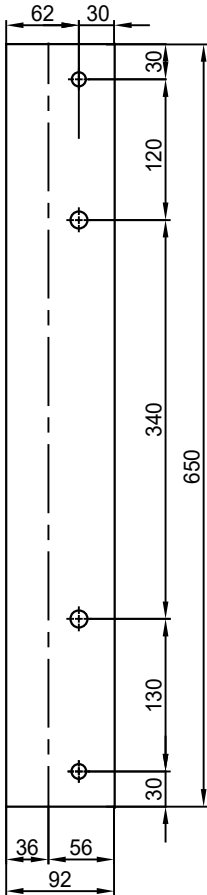
\* (Pos 180 and 225 extra price)

Possible accessories

Mounting profiles for load distribution	AP16001ST
Counterflange inlet/outlet	
Flexible connection inlet/outlet max. 80°C	zzØ 229 / pz 200x140
Anti-vibration mountings	4x 50x40/B/70° ShA
Inspectiondoor	
Drain	
Shaft seal without asbestos	
Coolingwheel (medium max. 150°C)	( incl. coating RAL9006 )
Flexible connection inlet/outlet max. 150°C	zzØ 229 / pz 200x140
ATEX version	Zone 1 / 2 / 21 / 22
ATEX motor	Ex nA / Exe / Ex de
Coating suitable for outdoor application	RAL 5010 / RAL ....
Stainless steel version	304 / 316 / ...
Acoustic enclosure	



DESCRIZIONE - DESCRIPTION		SCALA 1:14	DISEGNATO - PREPARED	FORMATO
APRG 632/C - RD 0		DATA 02/03/2015	Duregotti P.	A4
		SOSTITUISCE IL - REPLACES THE N° APRG632A411C000		
		SOSTITUITO DAL - REPLACES BY N°		REV.
Copy 29-6-2020	Slingerland ventilatoren	N.DISEGNO - N.DRAWING		00
			VAPRG632C0009	



COMM.  
N°

00	04/02/2016	PRIMA EMISSIONE		RK	RK
01	16/09/2020	Extension pedestal		MvS	MvS
REV	DATA - DATE	DESCRIZIONE - DESCRIPTION			APPROVATO APPROVED
DESCRIZIONE - DESCRIPTION		MATERIALE - MATERIAL	NR.FILE	PESO - WEIGHT	
DESCRIZIONE - DESCRIPTION		Fe 360		Kg	
Staffe per Puffer L=650 IEC 160 / AP series			SCALA 1:4.5	DISEGNATO - PREPARED	FORMATO
			DATA 04/02/2016	RK	A4
			SOSTITUISCE IL - REPLACED THE N° SOSTITUITO DAL - REPLACES BY N°		
N.DISEGNO - N.DRAWING				REV.	
STF-AP16001ST					
				01	