

The centrifugal fan type APRG is a single inlet fan, direct driven and equipped with blades curved backwards. This robust industrial fan is suitable for moving clean to slightly dust-laden air. Its temperature should not exceed 80°C, or 150°C with a cooling fan. The standard version of this fan is made of steel and provided with a coating in the color agate gray RAL 7038.

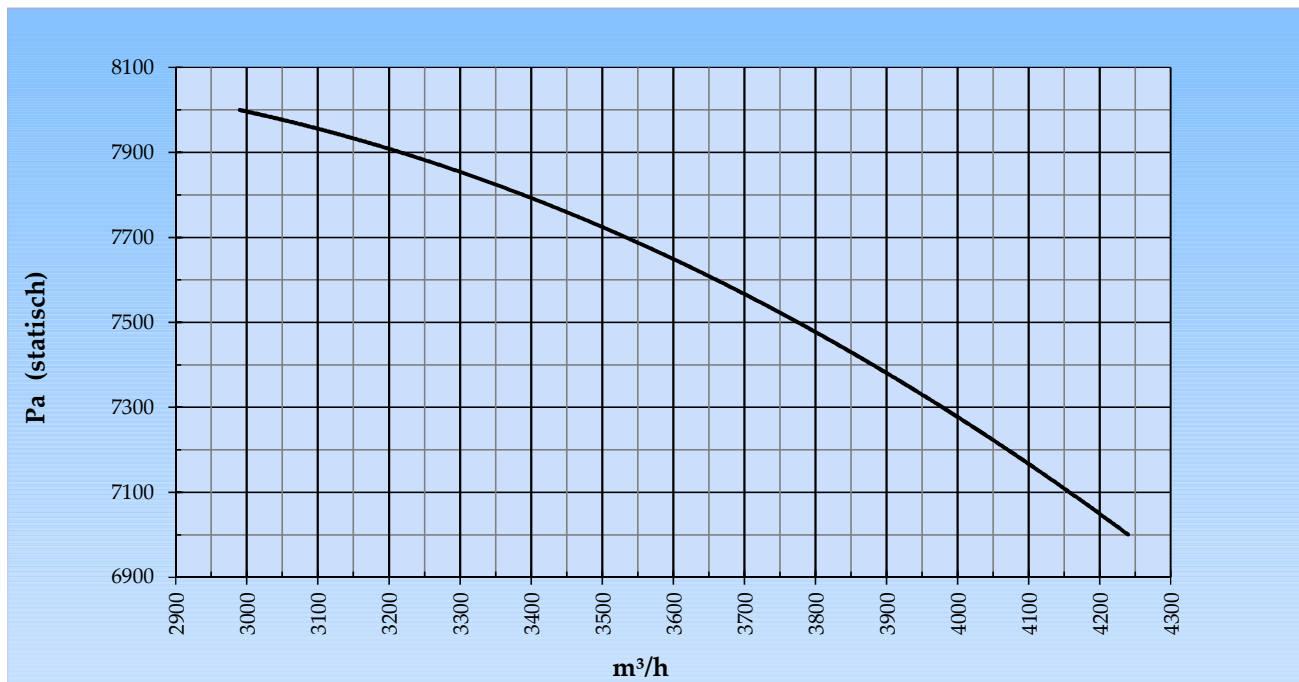
General data:

Drive	direct	
Motor position	horizontal	
Material casing/base	Steel	
Material impeller/hub	Steel	
Coating/protection	RAL 7038	
Operating temperature (max.)	15 (80)	°C
Medium density (altitude 0 m)	1,226	kg/m ³
Impeller speed	2.935	rpm
Weight	198	kg
Sound pressure level ±3 (at 1,5 m near the fan with inlet and outlet ducted, in free field)	85	dB(A)

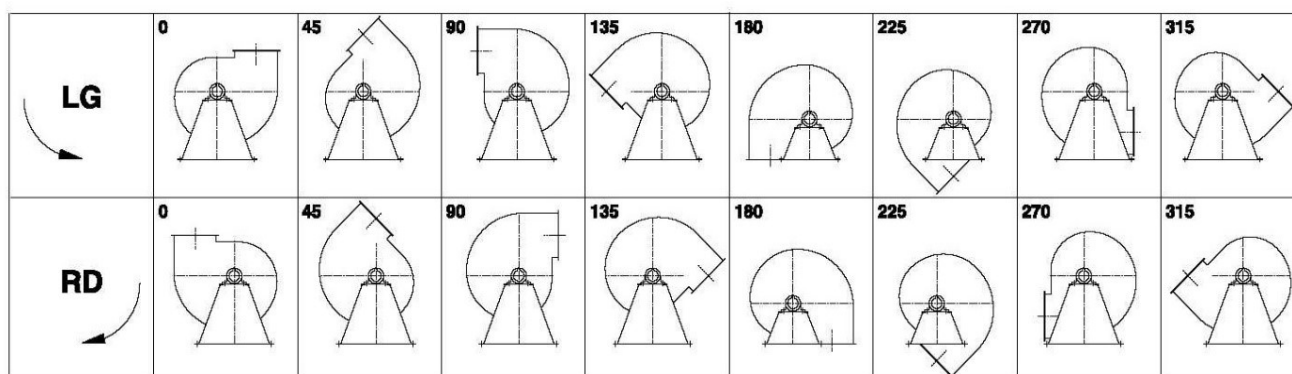
Electric motor:

	132M	IEC
Power	9,2	kW
Motor speed	2.935	rpm
Electric supply	3x400V50Hz	V/Hz
Full load current	16,6	A
Enclosure	55	IP
Shape	B3T	
Efficiency class	IE3	

Curve APRG 632B @ 2935rpm @ 15°C @ 0m



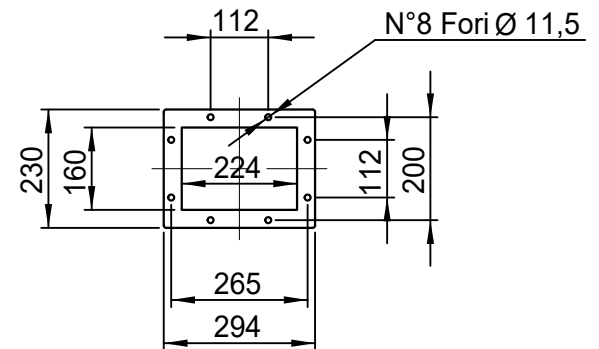
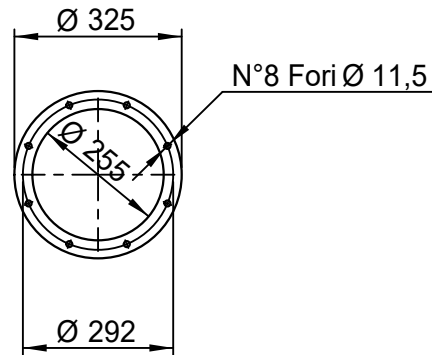
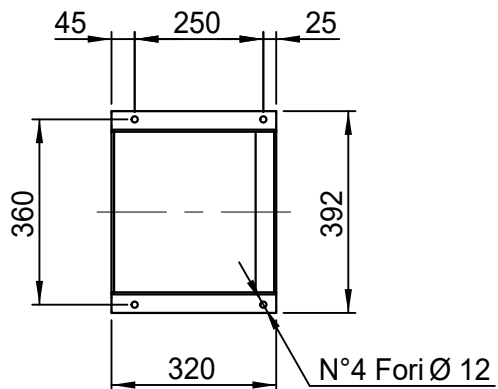
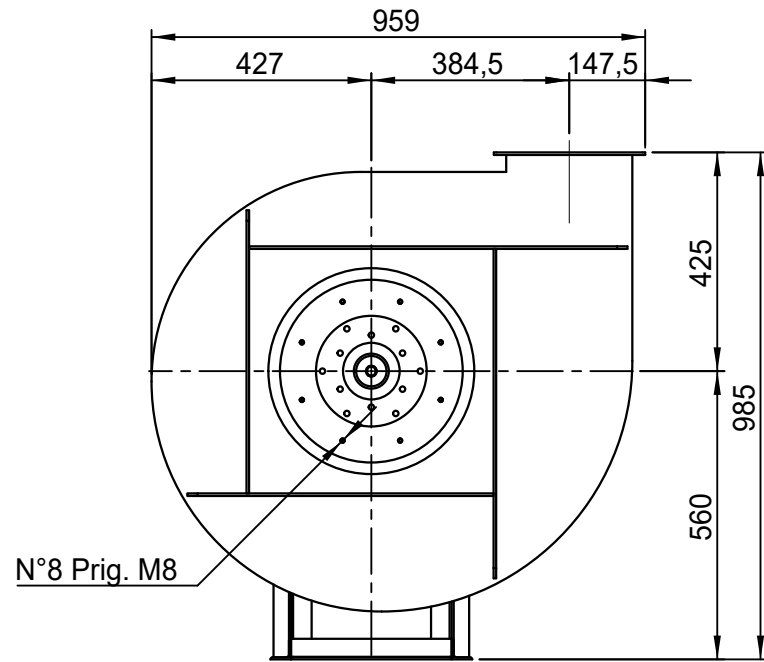
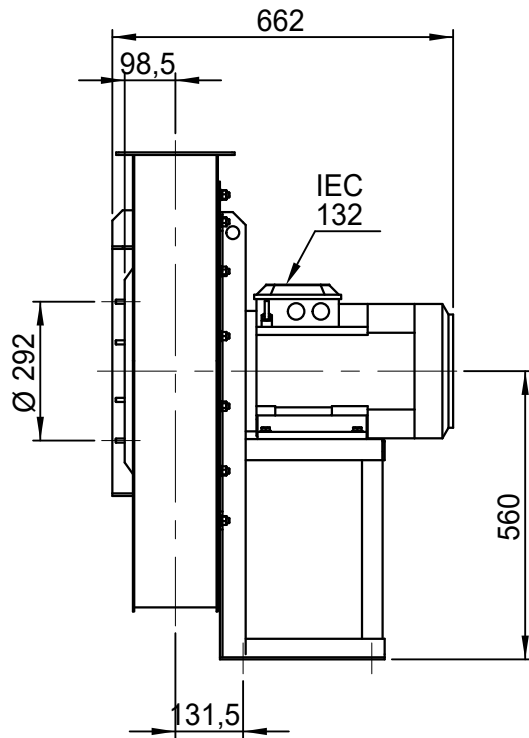
Possible discharge positions:



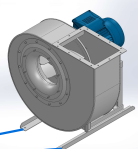
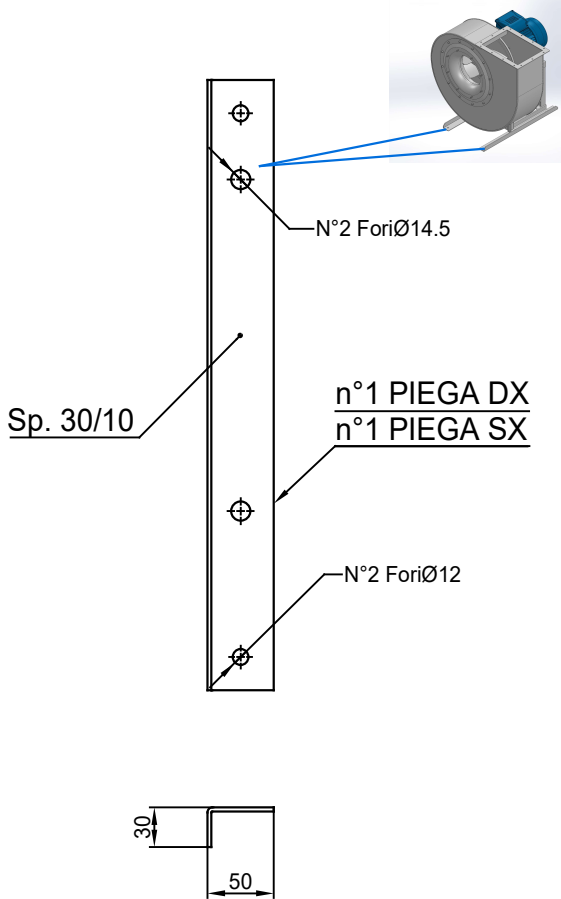
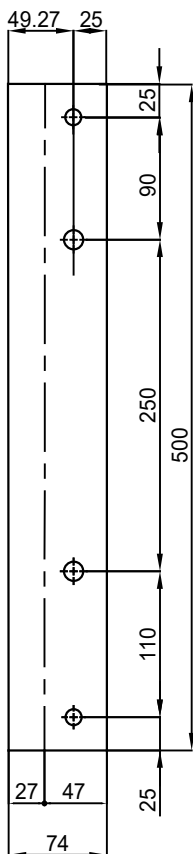
* (Pos 180 and 225 extra price)

Possible accessories

Mounting profiles for load distribution	AP13201ST
Counterflange inlet/outlet	
Flexible connection inlet/outlet max. 80°C	zzØ 229 / pz 200x140
Anti-vibration mountings	4x 40x30/B/70° ShA
Inspectiondoor	
Drain	
Shaft seal without asbestos	
Coolingwheel (medium max. 150°C)	(incl. coating RAL9006)
Flexible connection inlet/outlet max. 150°C	zzØ 229 / pz 200x140
ATEX version	Zone 1 / 2 / 21 / 22
ATEX motor	Ex nA / Exe / Ex de
Coating suitable for outdoor application	RAL 5010 / RAL
Stainless steel version	304 / 316 / ...
Acoustic enclosure	



DESCRIZIONE - DESCRIPTION	SCALA	1:14	DISEGNATO - PREPARED	FORMATO
	DATA	01/03/2016	Duregotti P.	A4
	SOSTITUISCE IL - REPLACES THE N° APRG632A411B000			
SOSTITUITO DAL - REPLACES BY N°				REV.
Copy 29-6-2020			N.DISEGNO - N.DRAWING	00
APRG 632/B - RD 0			VAPRG632B0003	



COMM.
N°

00	02/02/2016	PRIMA EMISSIONE		RK	RK
01	16/09/2020	Extension pedestal		MvS	MvS
REV	DATA - DATE	DESCRIZIONE - DESCRIPTION		DISEGNATO PREPARED	CONTROLLATO CHECKED
DESCRIZIONE - DESCRIPTION		MATERIALE - MATERIAL	NR. FILE	PESO - WEIGHT	
DESCRIZIONE - DESCRIPTION		Fe 360		Kg	
Staffe per Puffer L=500 IEC 132 / AP series			SCALA 1:4	DISEGNATO - PREPARED	FORMATO
			DATA 02/02/2016	RK	A4
			SOSTITUISCE IL - REPLACES THE N° SOSTITUITO DAL - REPLACES BY N°		
N. DISEGNO - N. DRAWING			Slingerland ventilatoren		REV.
STF-AP13201ST					01