

The centrifugal fan type APRG is a single inlet fan, direct driven and equipped with blades curved backwards. This robust industrial fan is suitable for moving clean to slightly dust-laden air. Its temperature should not exceed 80°C, or 150°C with a cooling fan. The standard version of this fan is made of steel and provided with a coating in the color agate gray RAL 7038.

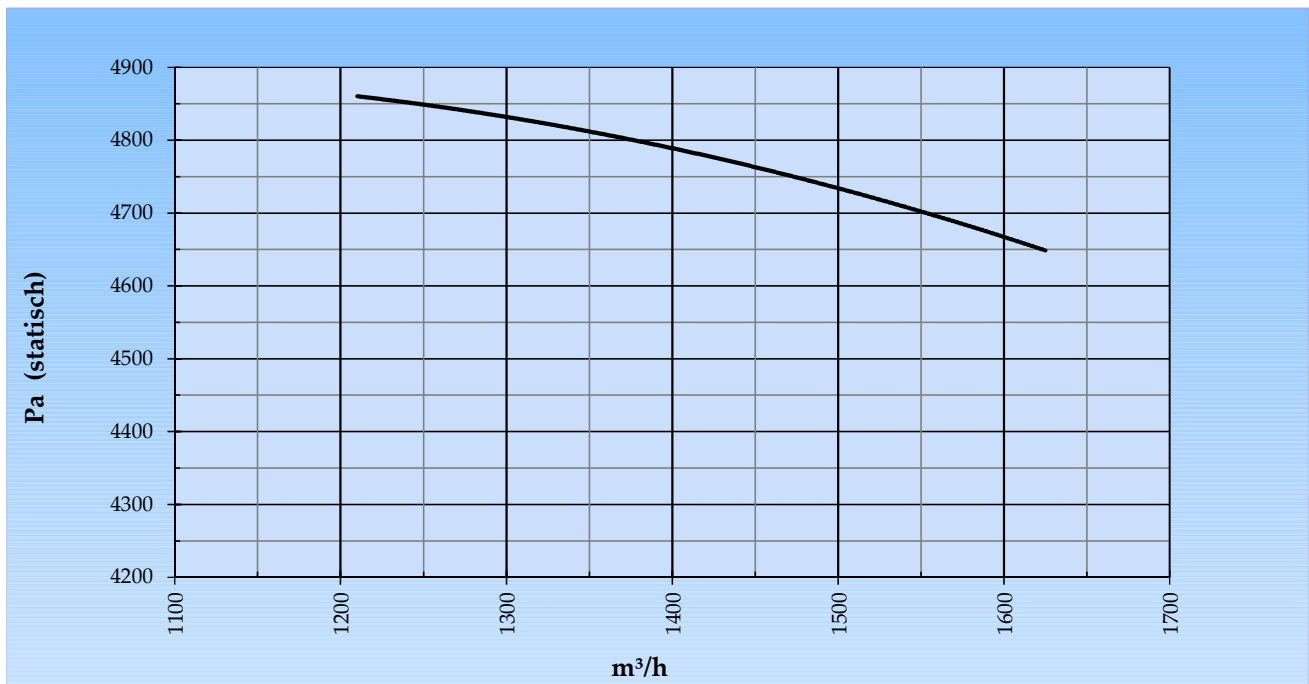
General data:

Drive	direct	
Motor position	horizontal	
Material casing/base	Steel	
Material impeller/hub	Steel	
Coating/protection	RAL 7038	
Operating temperature (max.)	15 (80)	°C
Medium density (altitude 0 m)	1,226	kg/m ³
Impeller speed	2.910	rpm
Weight	88	kg
Sound pressure level ±3 (at 1,5 m near the fan with inlet and outlet ducted, in free field)	78	dB(A)

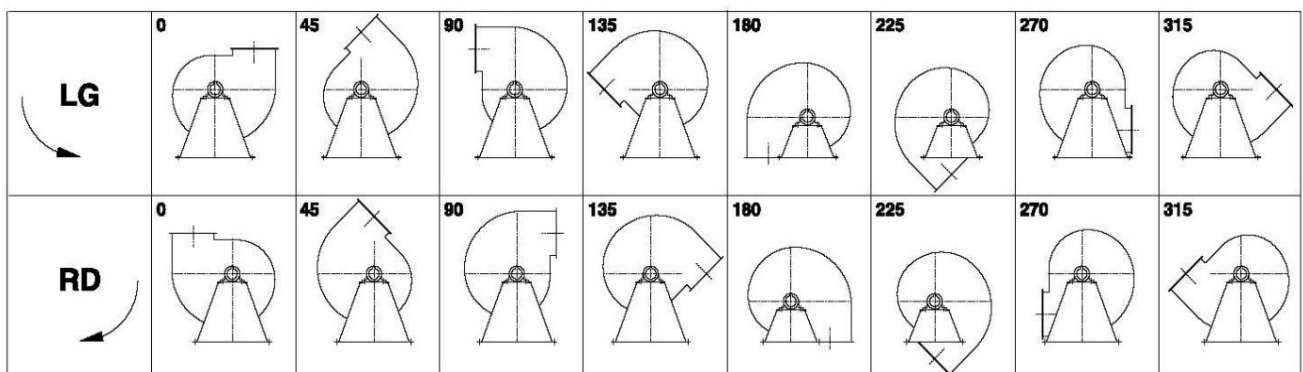
Electric motor:

	100L	IEC
Power	3,0	kW
Motor speed	2.910	rpm
Electric supply	3x400V50Hz	V/Hz
Full load current	5,8	A
Enclosure	55	IP
Shape	B3T	
Efficiency class	IE3	

Curve APRG 501A @ 2910rpm @ 15°C @ 0m



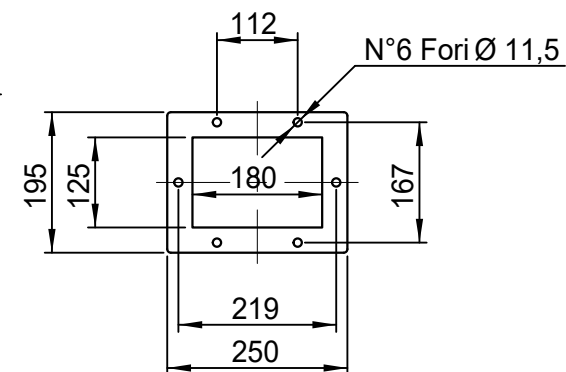
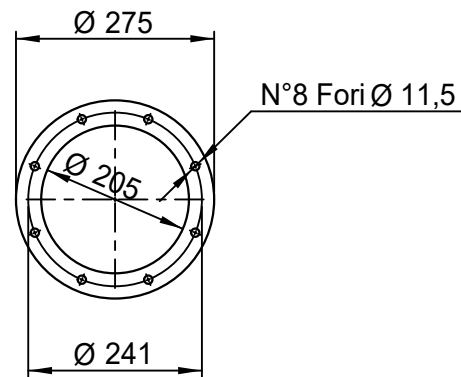
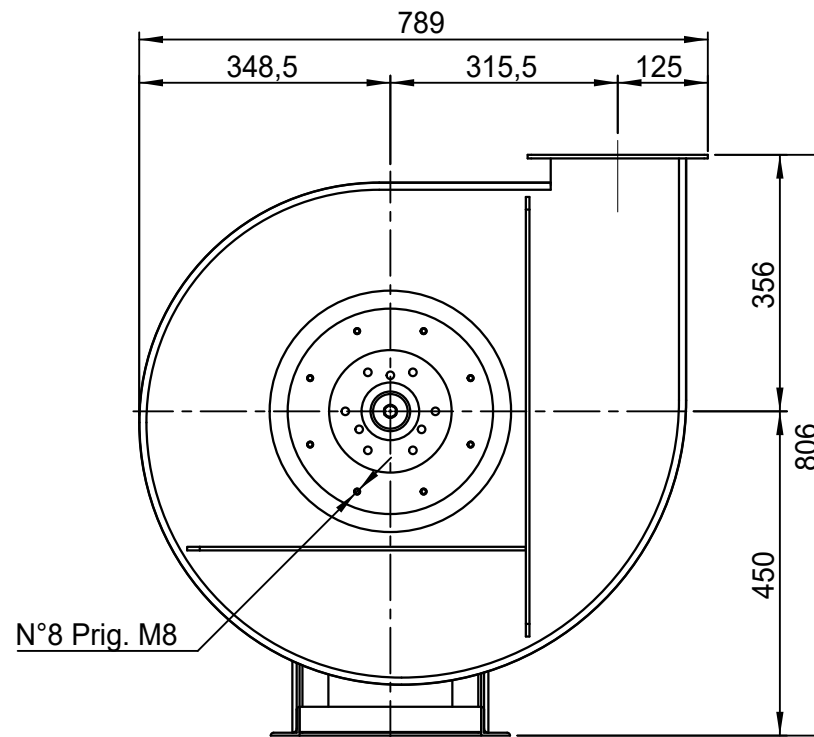
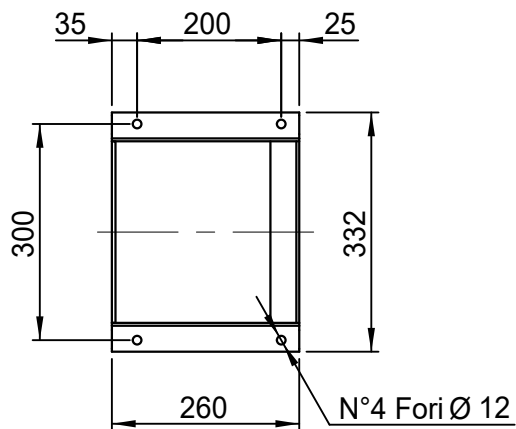
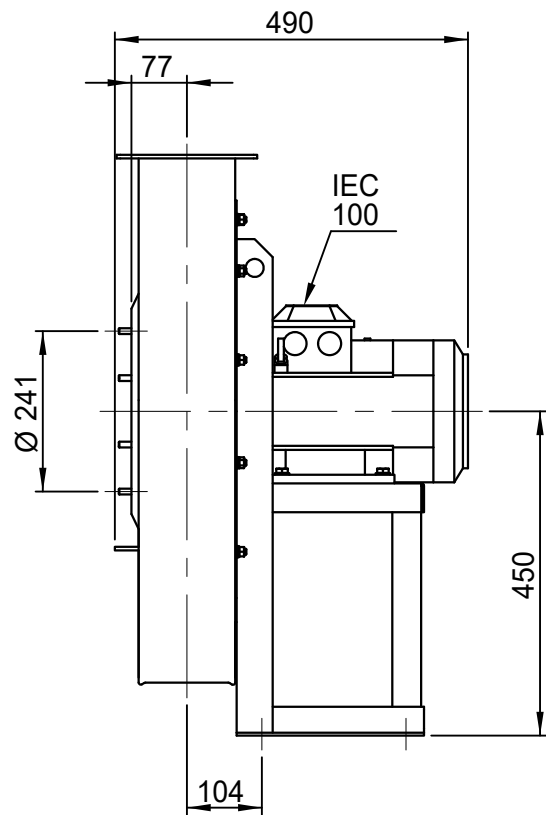
Possible discharge positions:



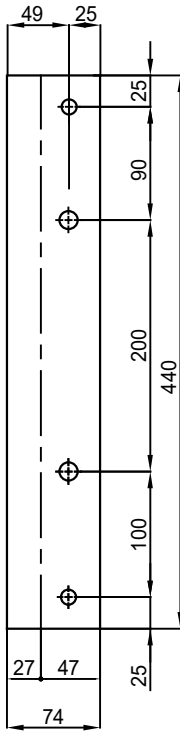
* (Pos 180 and 225 extra price)

Possible accessories

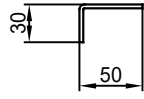
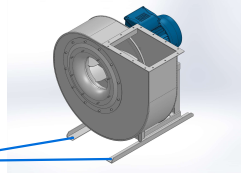
Mounting profiles for load distribution	AP100-11201ST
Counterflange inlet/outlet	
Flexible connection inlet/outlet max. 80°C	zzØ 205 / pz 180x125
Anti-vibration mountings	4x 30x20/B/55° ShA
Inspectiondoor	
Drain	
Shaft seal without asbestos	
Flexible connection inlet/outlet max. 150°C	(incl. coating RAL9006)
Flexible connection inlet/outlet max. 150°C	zzØ 205 / pz 180x125
ATEX version	Zone 1 / 2 / 21 / 22
ATEX motor	Ex nA / Exe / Ex de
Coating suitable for outdoor application	RAL 5010 / RAL
Stainless steel version	304 / 316 / ...
Acoustic enclosure	



DESCRIZIONE - DESCRIPTION	SCALA	1:10	DISEGNATO - PREPARED	FORMATO
	DATA	26/02/2015	Duregotti P.	A4
APRG 501/A - RD 0				
SOSTITUISCE IL - REPLACED THE N° APRG501A411A000				
SOSTITUITO DAL - REPLACES BY N°				
Copy 29-6-2020	N.DISEGNO - N.DRAWING			REV.
				VAPRG501A0001
				00



Sp. 30/10



COMM.
N°

00	02/02/2016	PRIMA EMISSIONE		RK	RK
01	16/09/2020	Extention pedestal		MvS	MvS
REV	DATA - DATE	DESCRIZIONE - DESCRIPTION		DISEGNATO PREPARED	CONTROLLATO CHECKED
DESCRIZIONE - DESCRIPTION		MATERIALE - MATERIAL	NR.FILE	PESO - WEIGHT	
		Fe 360		Kg	
DESCRIZIONE - DESCRIPTION			SCALA 1:4	DISEGNATO - PREPARED	FORMATO
Staffe per Puffer L=440 IEC 100-112 / AP series			DATA 02/02/2016	RK	A4
			SOSTITUISCE IL - REPLACED THE N° SOSTITUITO DAL - REPLACES BY N°		
N.DISEGNO - N.DRAWING				REV.	
STF-AP10011201ST				01	

