

The centrifugal fan type APRG is a single inlet fan, direct driven and equipped with blades curved backwards. This robust industrial fan is suitable for moving clean to slightly dust-laden air. Its temperature should not exceed 80°C, or 150°C with a cooling fan. The standard version of this fan is made of steel and provided with a coating in the color agate gray RAL 7038.

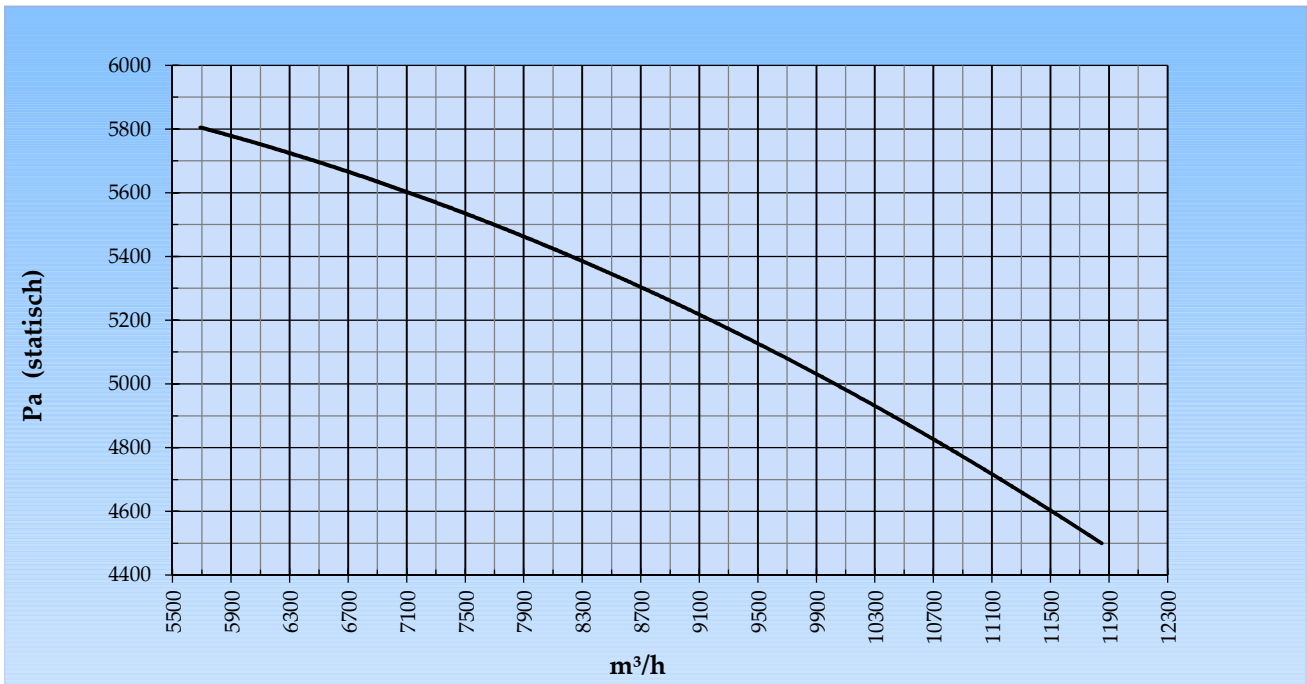
### General data:

Drive	direct	
Motor position	horizontal	
Material casing/base	Steel	
Material impeller/hub	Steel	
Coating/protection	RAL 7038	
Operating temperature (max.)	15 (80)	°C
Medium density (altitude 0 m)	1,226	kg/m <sup>3</sup>
Impeller speed	1.470	rpm
Weight	583	kg
Sound pressure level ±3 (at 1,5 m near the fan with inlet and outlet ducted, in free field)	81	dB(A)

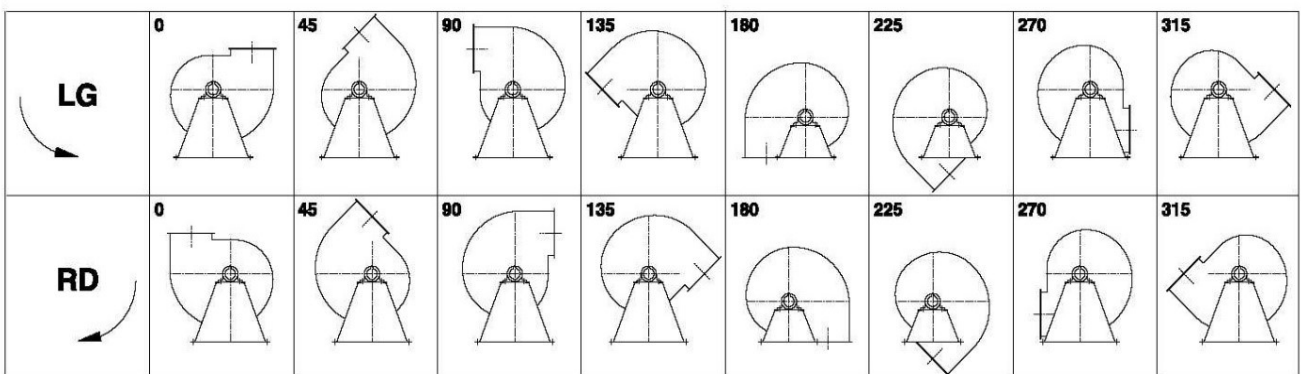
### Electric motor:

	180L	IEC
Power	22,0	kW
Motor speed	1.470	rpm
Electric supply	3x400V50Hz	V/Hz
Full load current	41,0	A
Enclosure	55	IP
Shape	B3T	
Efficiency class	IE3	

Curve APRG 1122D @ 1470rpm @ 15°C @ 0m



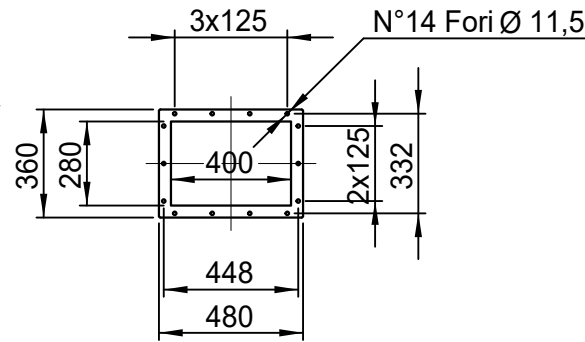
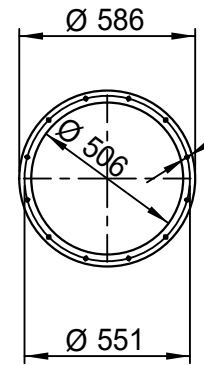
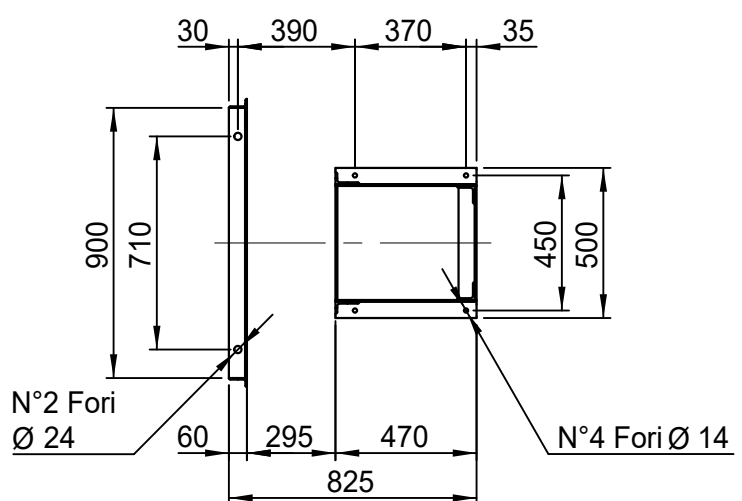
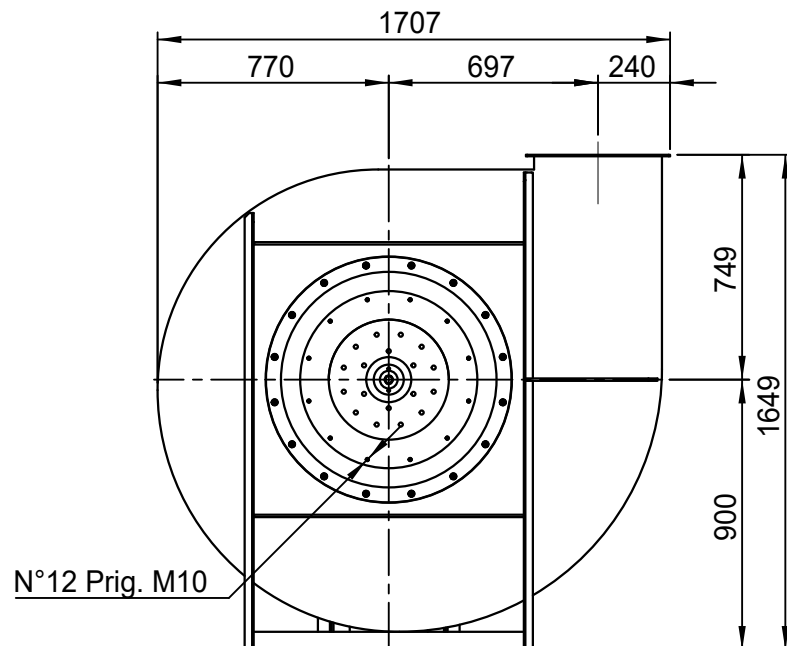
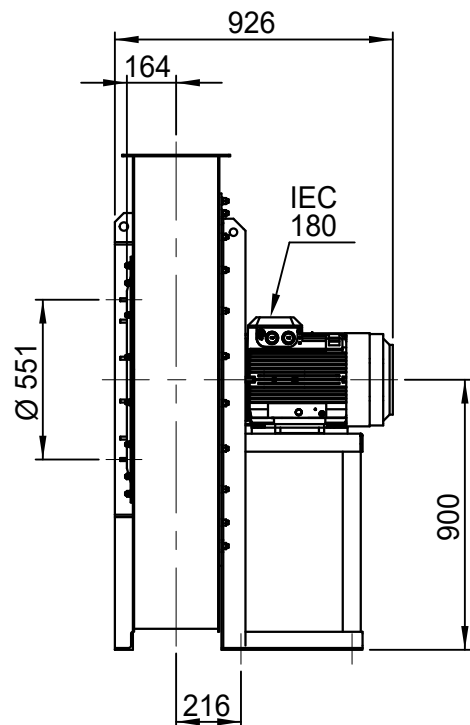
Possible discharge positions:



\* (Pos 180 and 225 extra price)

Possible accessories

Mounting profiles for load distribution	--
Counterflange inlet/outlet	
Flexible connection inlet/outlet max. 80°C	zzØ 506 / pz 400x280
Anti-vibration mountings	6x 50x40/B/40° ShA
Inspectiondoor	
Drain	
Shaft seal without asbestos	
Coolingwheel (medium max. 150°C)	( incl. coating RAL9006 )
Flexible connection inlet/outlet max. 150°C	zzØ 506 / pz 400x280
ATEX version	Zone 1 / 2 / 21 / 22
ATEX motor	Ex nA / Exe / Ex de
Coating suitable for outdoor application	RAL 5010 / RAL ....
Stainless steel version	304 / 316 / ...
Acoustic enclosure	



DESCRIZIONE - DESCRIPTION		SCALA 1:24	DISEGNATO - PREPARED	FORMATO
APRG 1122/D - RD 0		DATA 07/03/2016	Duregotti P.	A4
		SOSTITUISCE IL - REPLACES THE N° APRG1B2A411D000		
		SOSTITUITO DAL - REPLACES BY N°		
Copy 11-2-2020	Slingerland ventilatoren	N.DISEGNO - N.DRAWING		REV.
		VAPRG1B2D0008		00