

The centrifugal fan type APRG is a single inlet fan, direct driven and equipped with blades curved backwards. This robust industrial fan is suitable for moving clean to slightly dust-laden air. Its temperature should not exceed 80°C, or 150°C with a cooling fan. The standard version of this fan is made of steel and provided with a coating in the color agate gray RAL 7038.

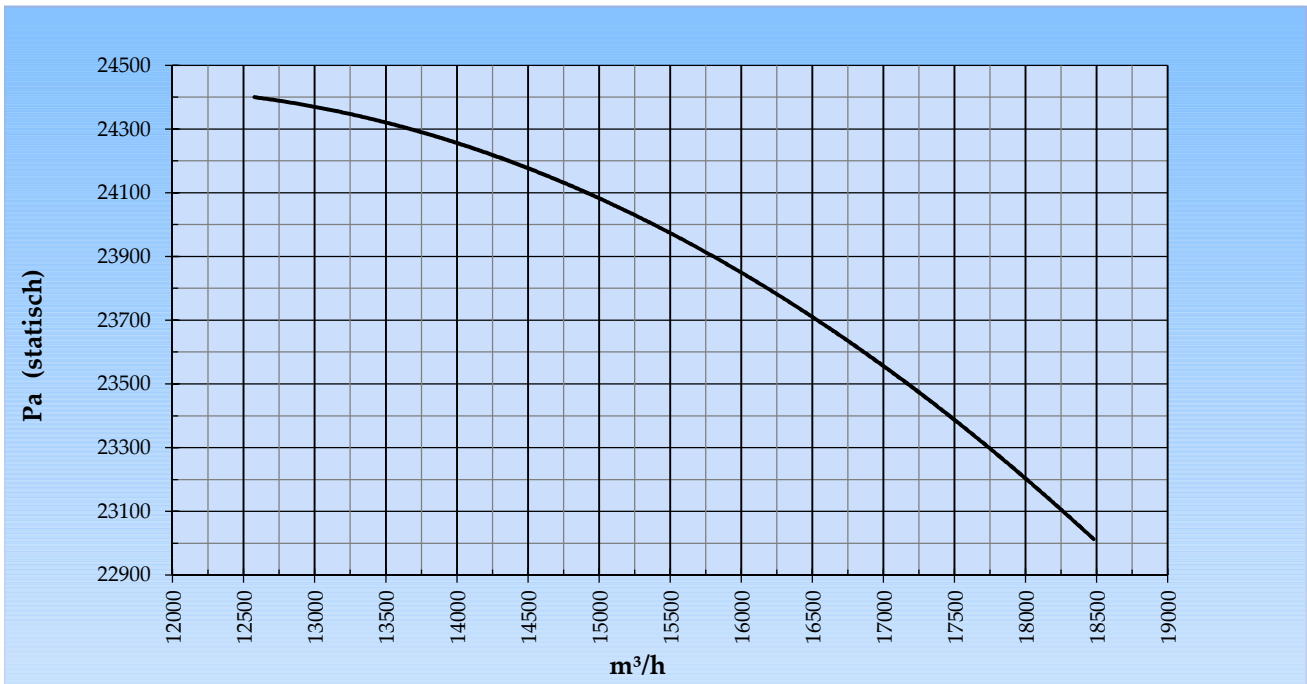
General data:

Drive	direct	
Motor position	horizontal	
Material casing/base	Steel	
Material impeller/hub	Steel	
Coating/protection	RAL 7038	
Operating temperature (max.)	15 (80)	°C
Medium density (altitude 0 m)	1,226	kg/m ³
Impeller speed	2.980	rpm
Weight	1.584	kg
Sound pressure level ±3 (at 1,5 m near the fan with inlet and outlet ducted, in free field)	96	dB(A)

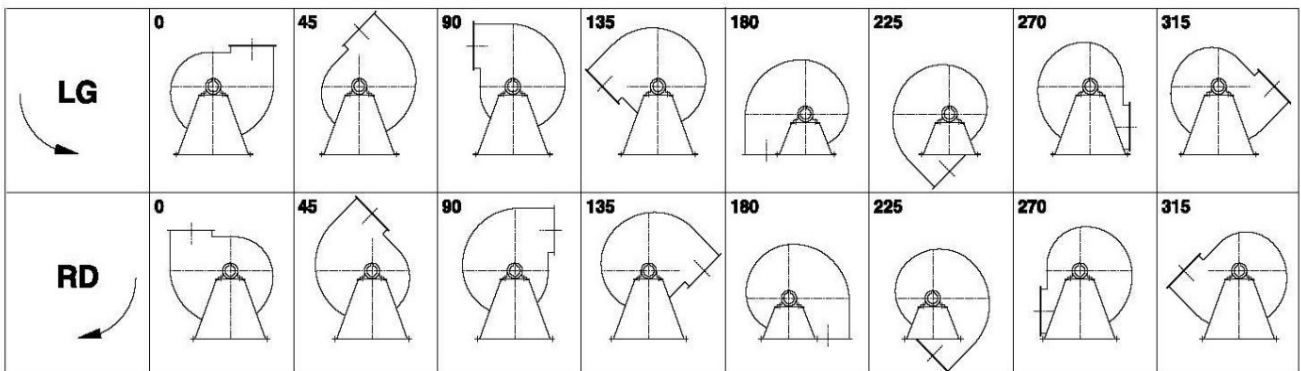
Electric motor:

	315M	IEC
Power	160,0	kW
Motor speed	2.980	rpm
Electric supply	3x400V50Hz	V/Hz
Full load current	271,0	A
Enclosure	55	IP
Shape	B3T	
Efficiency class	IE3	

Curve APRG 1122A @ 2980rpm @ 15°C @ 0m



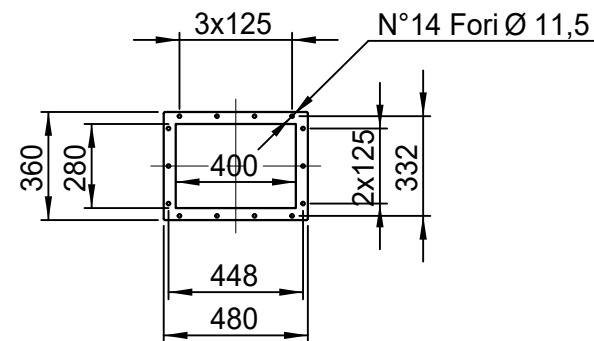
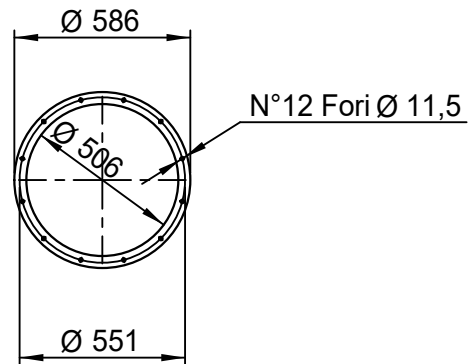
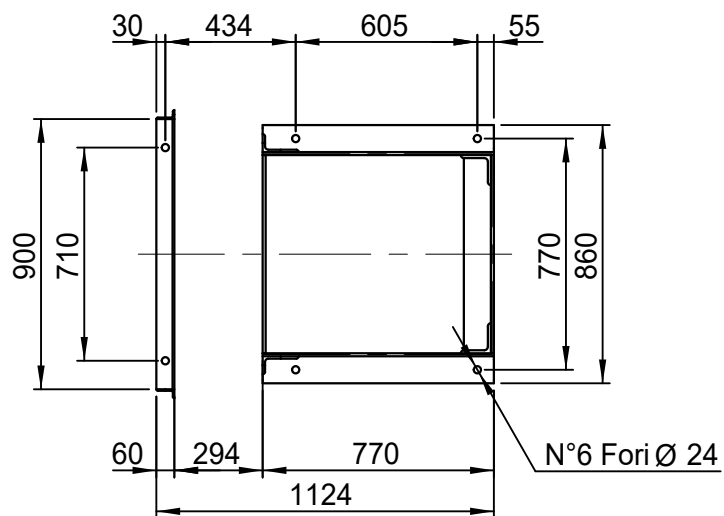
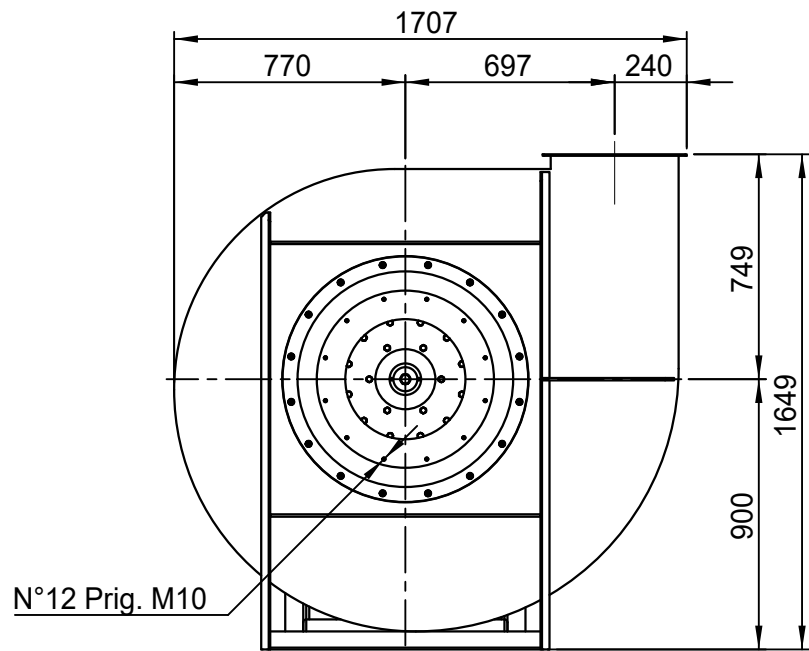
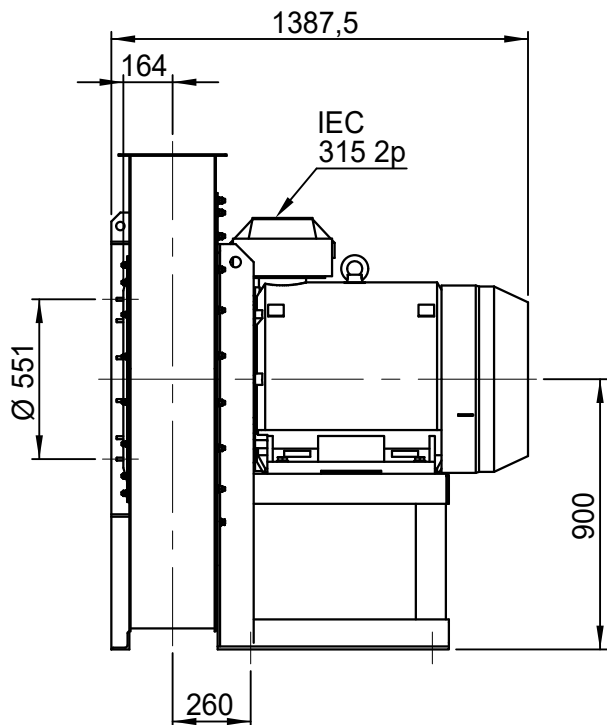
Possible discharge positions:



* (Pos 180 and 225 extra price)

Possible accessories

Mounting profiles for load distribution	--
Counterflange inlet/outlet	
Flexible connection inlet/outlet max. 80°C	zzØ 506 / pz 400x280
Anti-vibration mountings	6x 100x55/B/70° ShA
Inspectiondoor	
Drain	
Shaft seal without asbestos	
Coolingwheel (medium max. 150°C)	(incl. coating RAL9006)
Flexible connection inlet/outlet max. 150°C	zzØ 506 / pz 400x280
ATEX version	Zone 1 / 2 / 21 / 22
ATEX motor	Ex nA / Exe / Ex de
Coating suitable for outdoor application	RAL 5010 / RAL
Stainless steel version	304 / 316 / ...
Acoustic enclosure	



DESCRIZIONE - DESCRIPTION		SCALA 1:24	DISEGNATO - PREPARED	FORMATO
APRG 1122/A - RD 0		DATA 05/03/2015	Duregotti P.	A4
		SOSTITUISCE IL - REPLACED THE N° APRG1B2A411A000		
		SOSTITUITO DAL - REPLACES BY N°		
COPY 11-2-2020		N.DISEGNO - N.DRAWING		REV.
Slingerland ventilatoren		VAPRG1B2A0013		00