

The centrifugal fan type APRG is a single inlet fan, direct driven and equipped with blades curved backwards. This robust industrial fan is suitable for moving clean to slightly dust-laden air. Its temperature should not exceed 80°C, or 150°C with a cooling fan. The standard version of this fan is made of steel and provided with a coating in the color agate gray RAL 7038.

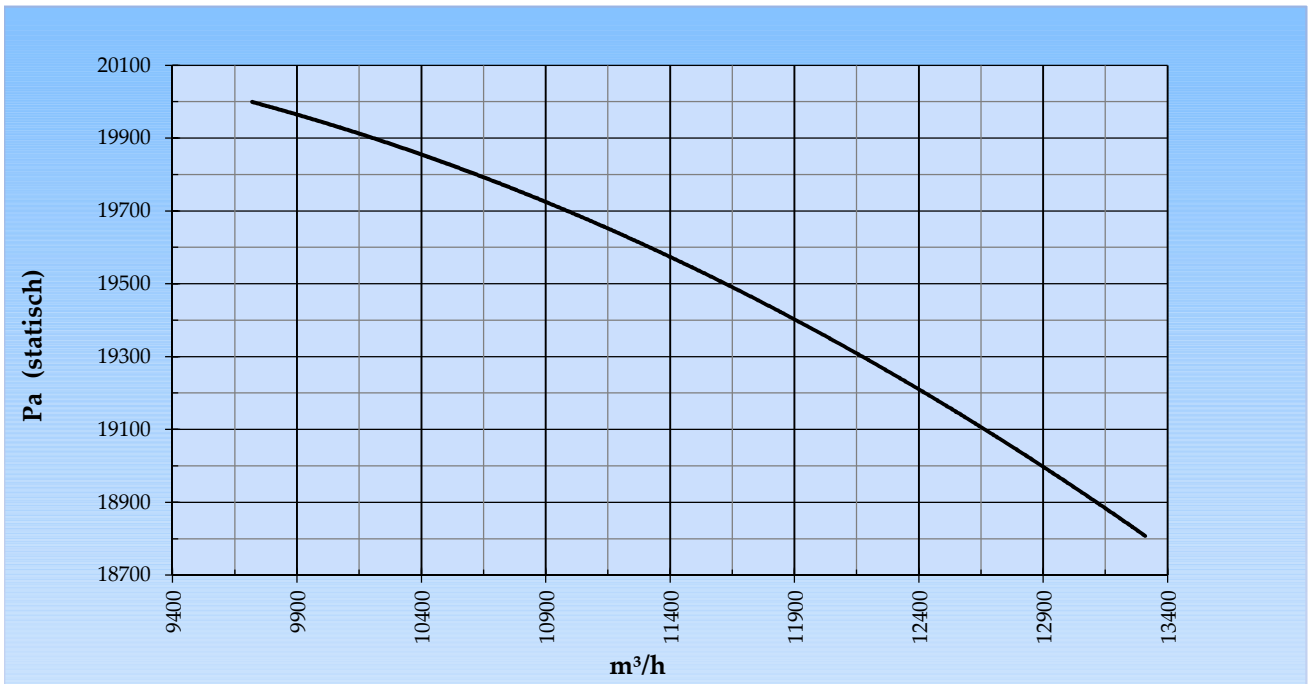
General data:

Drive	direct	
Motor position	horizontal	
Material casing/base	Steel	
Material impeller/hub	Steel	
Coating/protection	RAL 7038	
Operating temperature (max.)	15 (80)	°C
Medium density (altitude 0 m)	1,226	kg/m ³
Impeller speed	2.975	rpm
Weight	1.128	kg
Sound pressure level ±3 (at 1,5 m near the fan with inlet and outlet ducted, in free field)		dB(A)

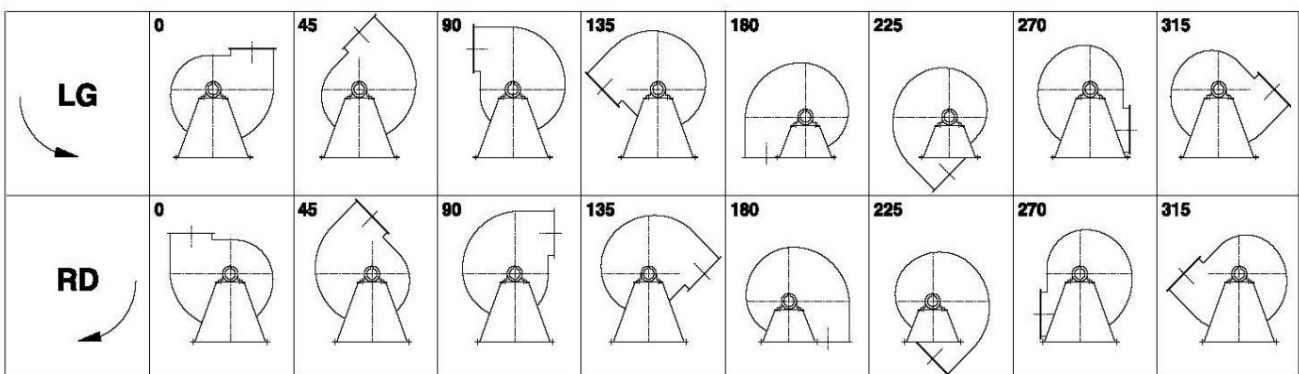
Electric motor:

	280M	IEC
Power	90,0	kW
Motor speed	2.975	rpm
Electric supply	3x400V50Hz	V/Hz
Full load current	152,0	A
Enclosure	55	IP
Shape	B3T	
Efficiency class	IE3	

Curve APRG 1002A @ 2975rpm @ 15°C @ 0m



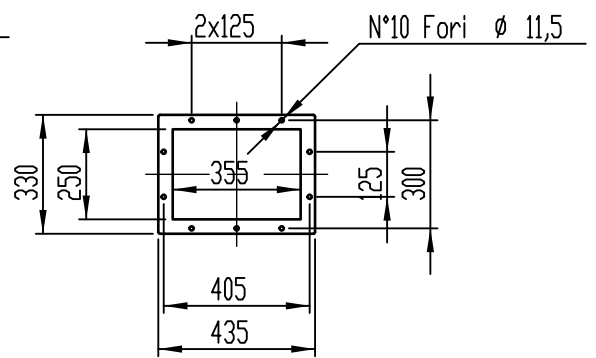
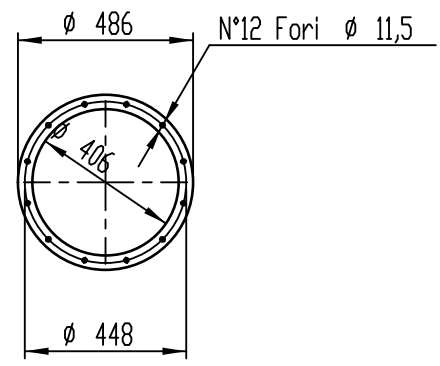
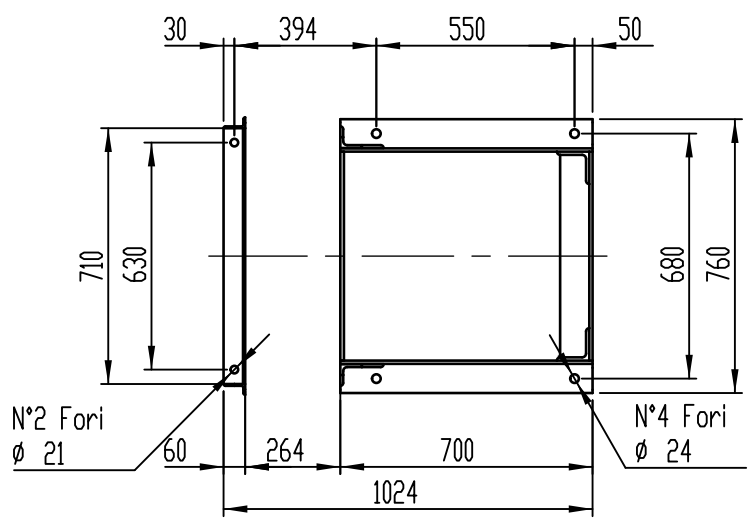
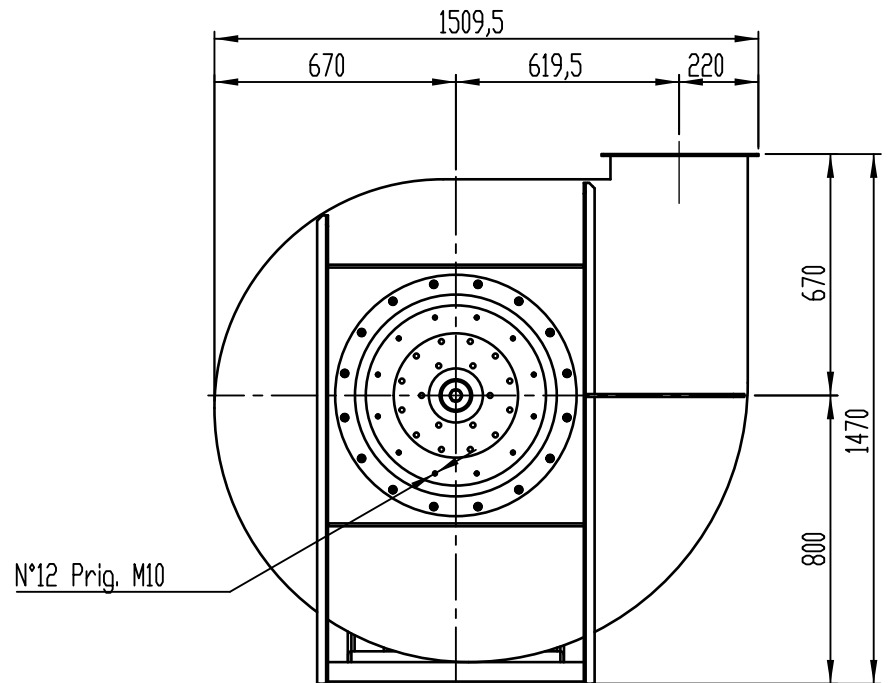
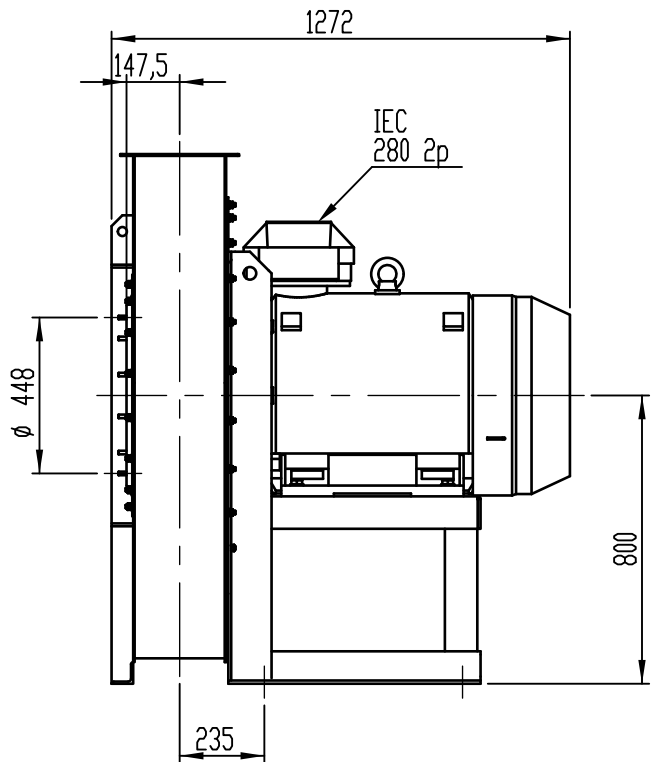
Possible discharge positions:



* (Pos 180 and 225 extra price)

Possible accessories

Mounting profiles for load distribution	--
Counterflange inlet/outlet	
Flexible connection inlet/outlet max. 80°C	zzØ 406 / pz 355x250
Anti-vibration mountings	6x 100x55/B/70° ShA
Inspectiondoor	
Drain	
Shaft seal without asbestos	
Coolingwheel (medium max. 150°C)	(incl. coating RAL9006)
Flexible connection inlet/outlet max. 150°C	zzØ 406 / pz 355x250
ATEX version	Zone 1 / 2 / 21 / 22
ATEX motor	Ex nA / Exe / Ex de
Coating suitable for outdoor application	RAL 5010 / RAL
Stainless steel version	304 / 316 / ...
Acoustic enclosure	



DESCRIZIONE - DESCRIPTION		SCALA 1:20	DISEGNATO - PREPARED	FORMATO
APRG 1002/A - RD 0		DATA 04/03/2015	Duregotti P.	A4
		SOSTITUISCE IL - REPLACES THE N° APRG1A2A411A000		
		SOSTITUITO DAL - REPLACES BY N°		
Copy 10-2-2020	Slingerland ventilatoren	N.DISEGNO - N.DRAWING		REV.
		VAPRG1A2A0002		00