

Centrifugal fan model APRF, Es.4

Single inlet fan, direct driven with an IEC-standard motor in form B3 which is mounted on a motorbase. This series of high-pressure fans is characterized by a high efficiency with electricity saving by installing a special impeller with backward curved blades. The robust industrial fan is totally made of steel and painted in the agate gray RAL 7038. The fan is suitable for the transportation of clean and slightly dusty air.

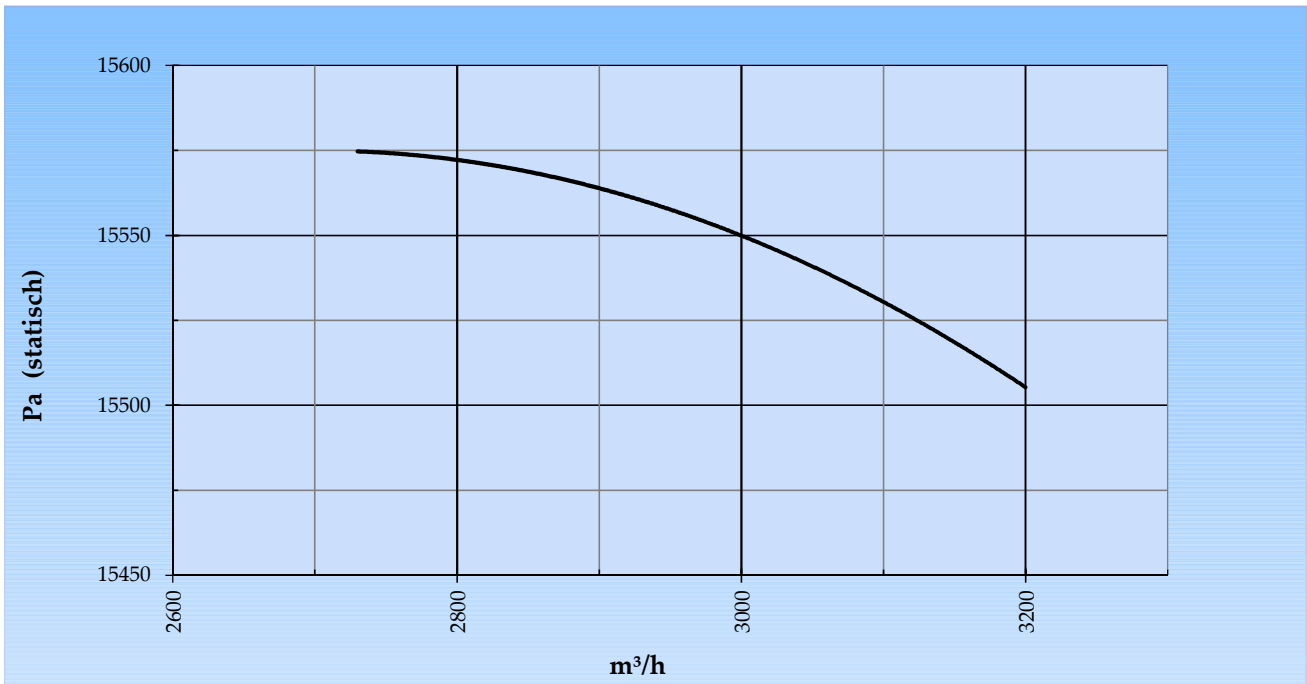
General data:

Drive	direct	
Motor position	horizontal	
Material casing/base	Steel	
Material impeller/hub	Steel	
Coating/protection	RAL 7038	
Operating temperature (max.)	15 (80)	°C
Medium density (altitude 0 m)	1,226	kg/m ³
Impeller speed	2.950	rpm
Weight	399	kg
Sound pressure level ±3 (at 1,5 m near the fan with inlet and outlet ducted, in free field)	86	dB(A)

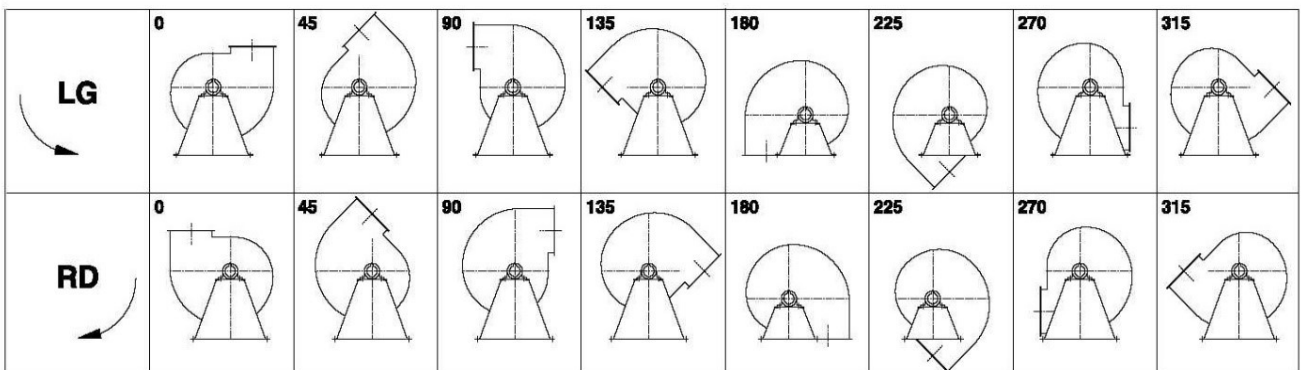
Electric motor:

	180M	IEC
Power	22,0	kW
Motor speed	2.950	rpm
Electric supply	3x400V50Hz	V/Hz
Full load current	39,7	A
Enclosure	55	IP
Shape	B3T	
Efficiency class	IE3	

Curve APRF 901B @ 2950rpm @ 15°C @ 0m



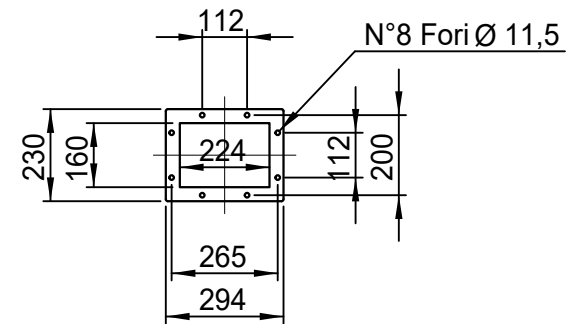
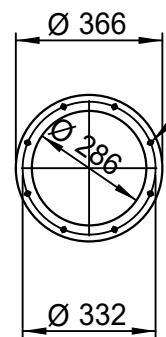
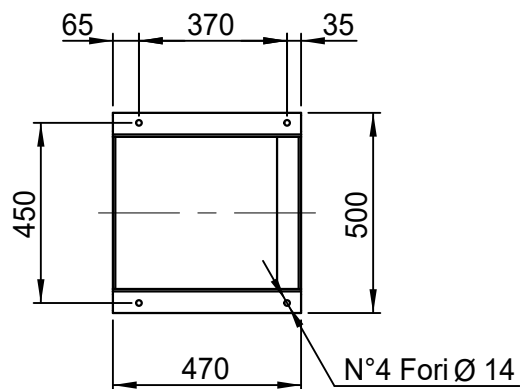
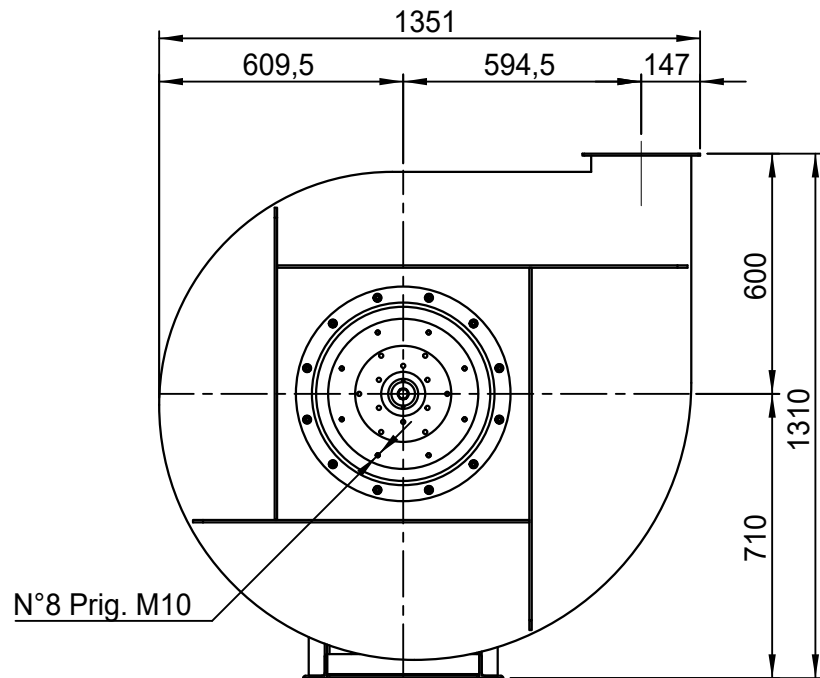
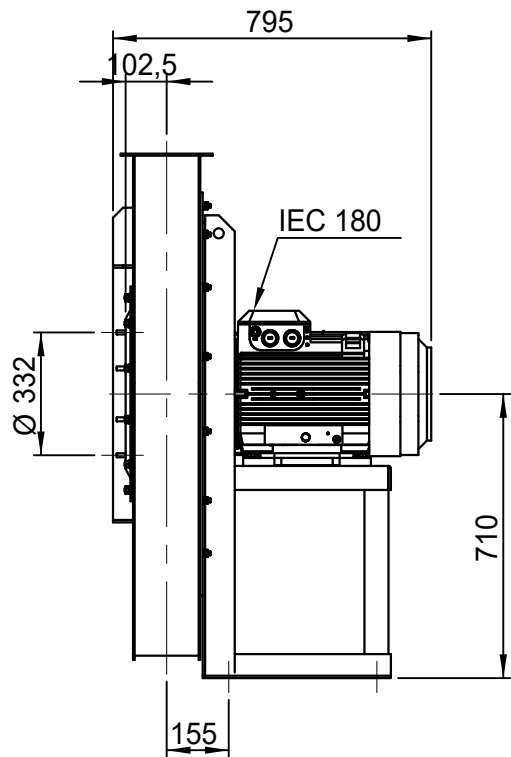
Possible discharge positions:




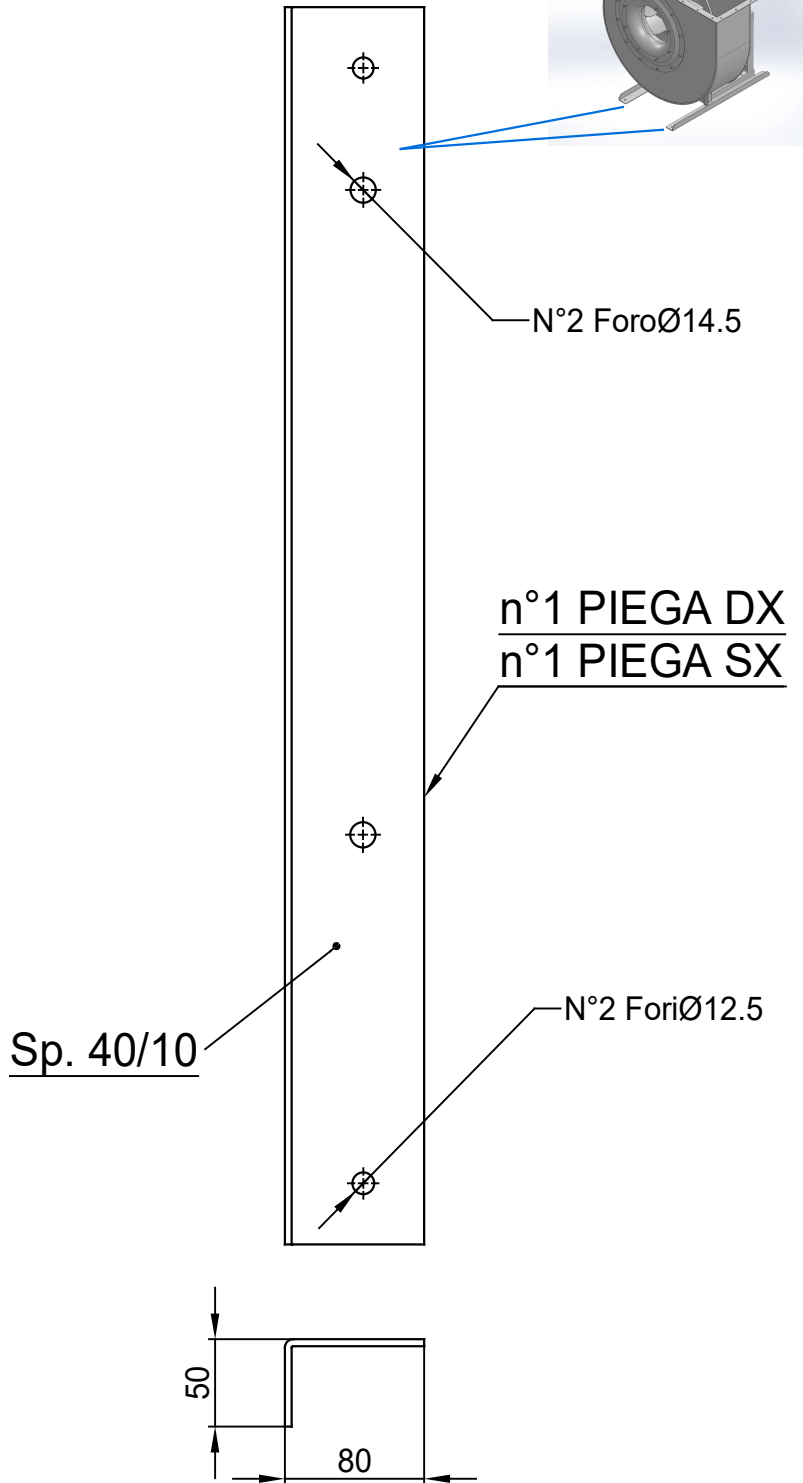
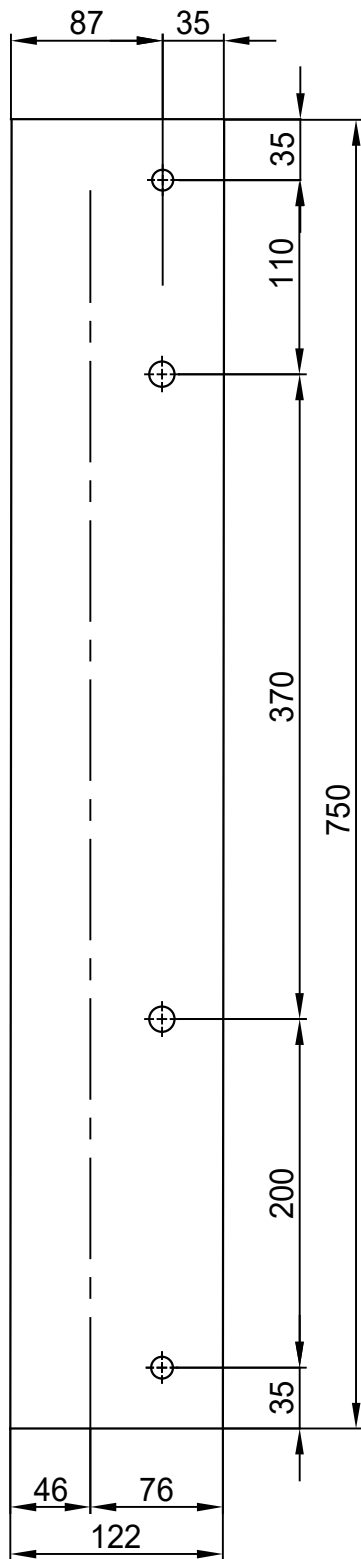
* (Pos 180 en 225 tegen meerprijs)

Possible accessories

Mounting profiles for load distribution	AP18001ST
Counterflange inlet/outlet	
Flexible connection inlet/outlet max. 80°C	zzØ 286 / pz 224x160
Anti-vibration mountings	4x 70x45/B/70° ShA
Inspectiondoor	
Drain connection	
Shaft seal without asbestos	
Coolingwheel (medium max. 150°C)	(incl. coating RAL9006)
Flexible connection inlet/outlet max. 150°C	zzØ 286 / pz 224x160
ATEX version	Zone 1 / 2 / 21 / 22
ATEX motor	Ex nA / Exe / Ex de
Coating suitable for outdoor application	RAL 5010 / RAL ...
Stainless steel version	304 / 316 / ...
Acoustic enclosure	



APRF 901/B - RD 0		SCALA 1:18	FORMATO
		DATA 04/02/2015	A4
		SOSTITUISCE IL - REPLACES THE N° APRF901A411B000	
		SOSTITUITO DAL - REPLACES BY N°	
Copy 7-2-2020			REV. 00



COMM.
N°

00	04/02/2016	PRIMA EMISSIONE	RK	RK
REV	DATA - DATE	DESCRIZIONE - DESCRIPTION	DISEGNATO PREPARED	APPROVATO APPROVED
DESCRIZIONE - DESCRIPTION		MATERIALE - MATERIAL	NR.FILE	PESO - WEIGHT
		Fe 360		Kg
DESCRIZIONE - DESCRIPTION		SCALA	DISEGNATO - PREPARED	FORMATO
Staffe per Puffer L=710		1:4.5	RK	A4
IEC 180 / AP series		DATA	SOSTITUISCE IL - REPLACES THE N°	
		04/02/2016	SOSTITUITO DAL - REPLACES BY N°	
N.DISEGNO - N.DRAWING			REV.	
STF-AP18001ST			01	