

Centrifugal fan model APRF, Es.4

Single inlet fan, direct driven with an IEC-standard motor in form B3 which is mounted on a motorbase. This series of high-pressure fans is characterized by a high efficiency with electricity saving by installing a special impeller with backward curved blades. The robust industrial fan is totally made of steel and painted in the agate gray RAL 7038. The fan is suitable for the transportation of clean and slightly dusty air.

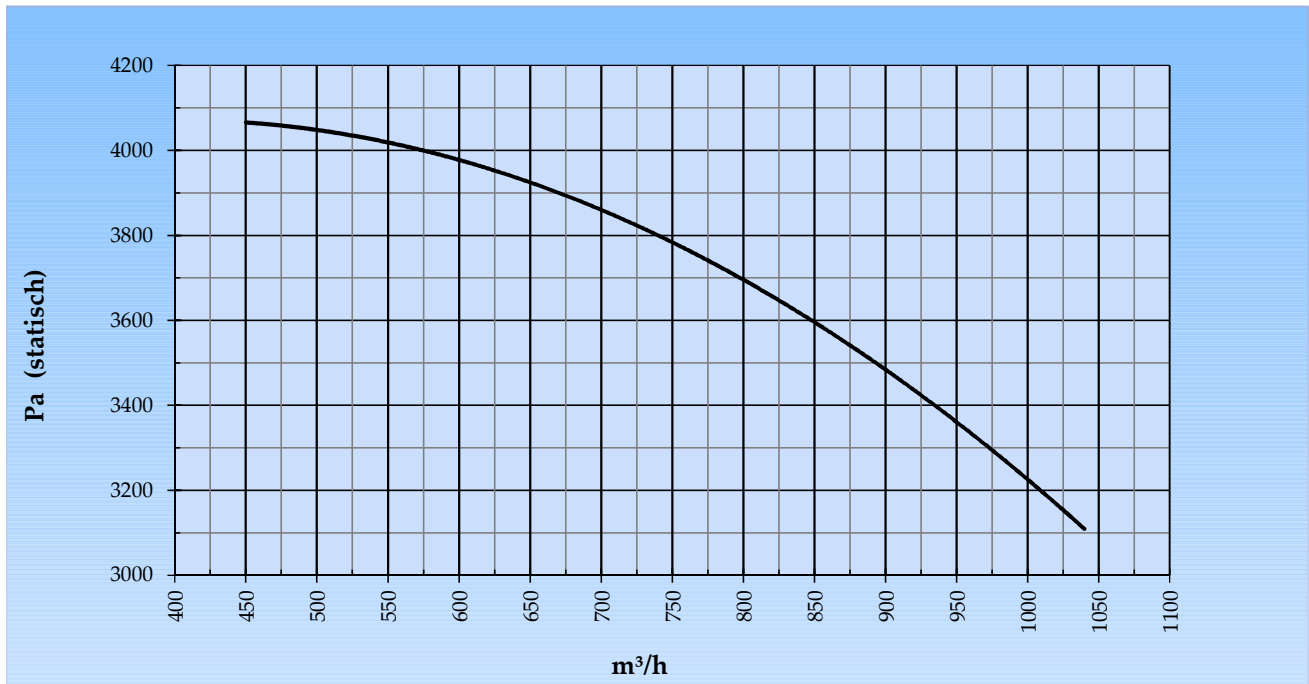
General data:

Drive	direct	
Motor position	horizontal	
Material casing/base	Steel	
Material impeller/hub	Steel	
Coating/protection	RAL 7038	
Operating temperature (max.)	15 (80)	°C
Medium density (altitude 0 m)	1,226	kg/m ³
Impeller speed	2.875	rpm
Weight	65	kg
Sound pressure level ±3 (at 1,5 m near the fan with inlet and outlet ducted, in free field)	75	dB(A)

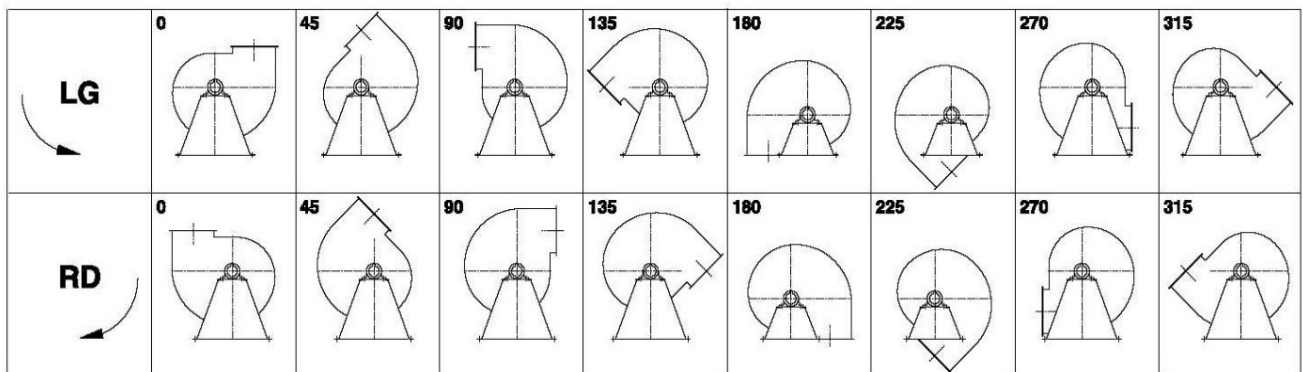
Electric motor:

	90S	IEC
Power	1,5	kW
Motor speed	2.875	rpm
Electric supply	3x400V50Hz	V/Hz
Full load current	3,09	A
Enclosure	55	IP
Shape	B3T	
Efficiency class	IE3	

Curve APRF 502 @ 2875rpm @ 15°C @ 0m



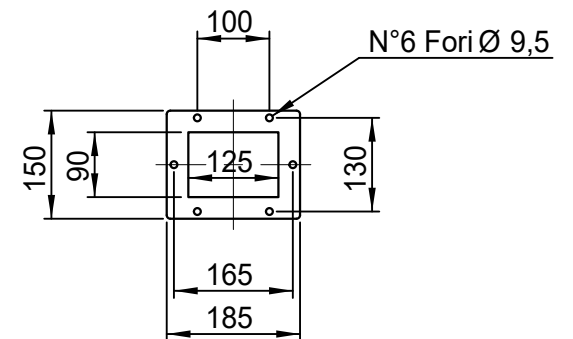
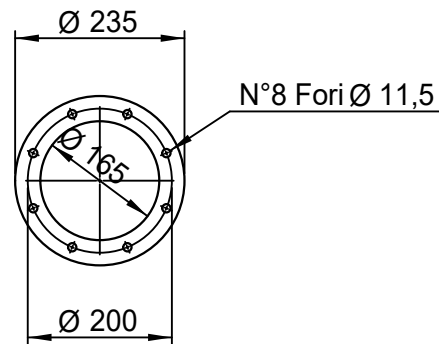
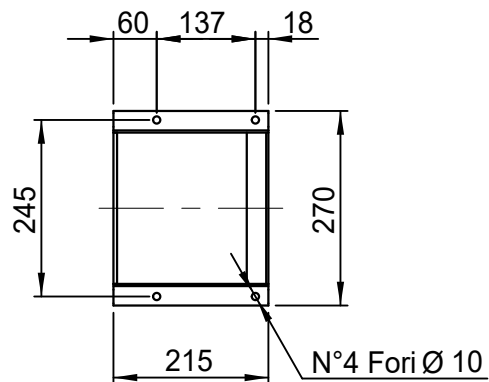
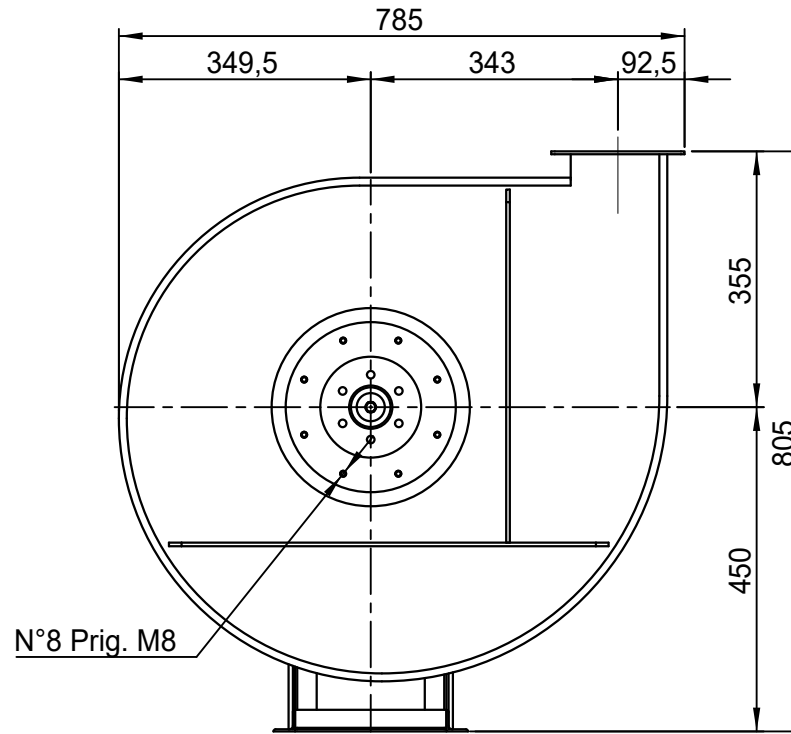
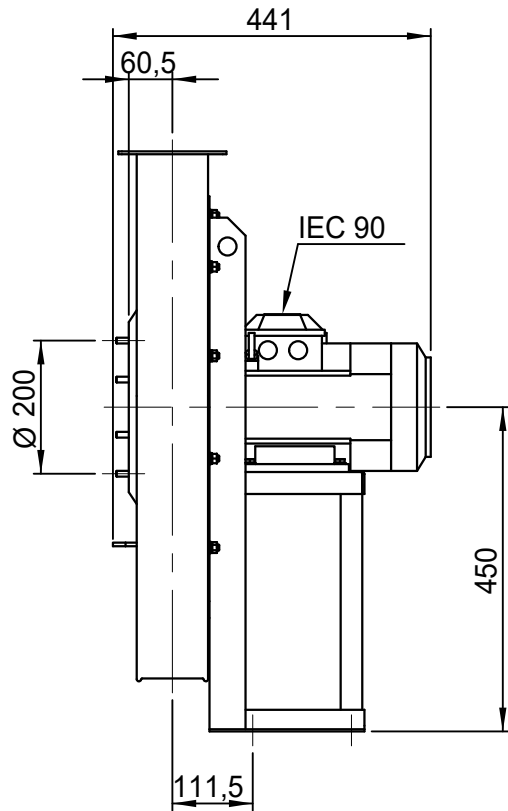
Possible discharge positions:



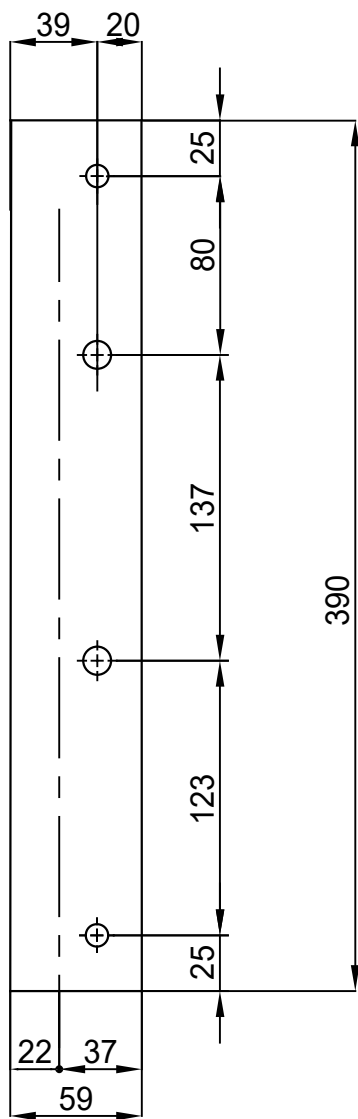
* (Pos 180 en 225 tegen meerprijs)

Possible accessories

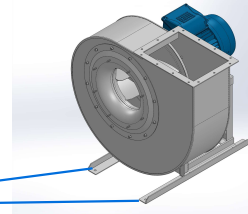
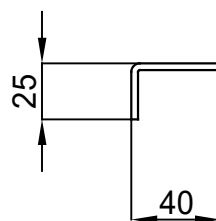
Mounting profiles for load distribution	AP09001ST
Counterflange inlet/outlet	
Flexible connection inlet/outlet max. 80°C	zzØ 165 / pz 125x90
Anti-vibration mountings	4x 30x20/B/40° ShA
Inspectiondoor	
Drain connection	
Shaft seal without asbestos	
Coolingwheel (medium max. 150°C)	(incl. coating RAL9006)
Flexible connection inlet/outlet max. 150°C	zzØ 165 / pz 125x90
ATEX version	Zone 1 / 2 / 21 / 22
ATEX motor	Ex nA / Exe / Ex de
Coating suitable for outdoor application	RAL 5010 / RAL ...
Stainless steel version	304 / 316 / ...
Acoustic enclosure	



DESCRIZIONE - DESCRIPTION	SCALA 1:10	DISEGNATO - PREPARED	FORMATO
	DATA 24/02/2015	Duregotti P.	A4
APRF 502 - RD 0	SOSTITUISCE IL - REPLACED THE N° APRF502A411A000		
	SOSTITUITO DAL - REPLACES BY N°		
Copy 29-6-2020	N.DISEGNO - N.DRAWING		REV.
		VAPRF502A0001	00



Sp. 30/10



N° 2 Foro Ø 12,5

n°1 PIEGA DX
n°1 PIEGA SX

N°2 Fori Ø10

COMM.
N°

00	02/02/2016	PRIMA EMISSIONE	RK	RK
REV	DATA - DATE	DESCRIZIONE - DESCRIPTION	DISEGNATO PREPARED	CONTROLLATO CHECKED
DESCRIZIONE - DESCRIPTION		MATERIALE - MATERIAL	NR.FILE	PESO - WEIGHT
		Fe 360		Kg
DESCRIZIONE - DESCRIPTION		SCALA 1:3.5	DISEGNATO - PREPARED	FORMATO
Staffe per Puffer L=350		DATA 02/02/2016	RK	A4
IEC 90 / AP series		SOSTITUISCE IL - REPLACES THE N°		
		SOSTITUITO DAL - REPLACES BY N°		
This document is the property of ST All rights are reserved according to law.		N.DISEGNO - N.DRAWING		REV.
STF-AP09001ST		Slingerland ventilatoren		01