

RVK315-D4-Ex



Circular duct fan

The RVK fans are designed for installation in ducts. The casing is made from conducting plastic. The fans have backward curved blades and external rotor motors.

The RVK-EX 315D4 fan complies with the ATEX regulation. The fans could be used for zone 1 and zone 2; field of application for gases of groups IIA, IIB and also hydrogen, temperature class T1, T2 and T3.

The fans are certified under the no TPS 20 ATEX 085751 0009 X. The explosion proof version comply with EN 60079-0, EN 60079-7, EN 14986, DIN EN ISO 80079-36 en DIN EN ISO 80079-37.

The RVK-EX 315D4 can be controlled with an optional 5-step transformer speed controller in combination with the standard motor protection device U-EK230E EX. Motor protection device U-EK230E EX must always be connected and will be delivered with the fan.

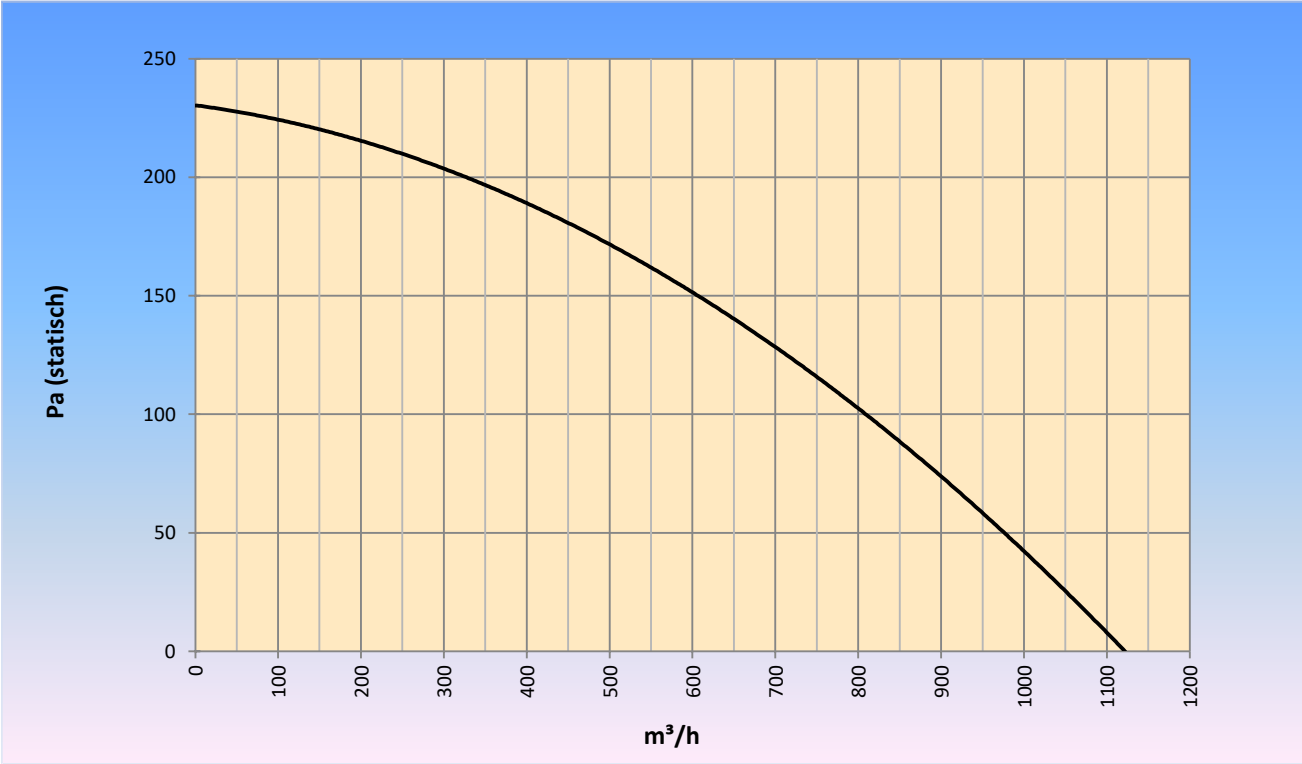
General data:

Max. Air flow	1.120	m ³ /h
Impeller speed	1.385	rpm
Input power	84,4	W
Voltage	3x400/50	V/Hz
Input current	0,2	A
Enclosure class, motor	44	IP
Weight	7,0	kg
Max. medium temp.	40	°C
Sound pressure level at 3M freefield	27,0	dB(A)

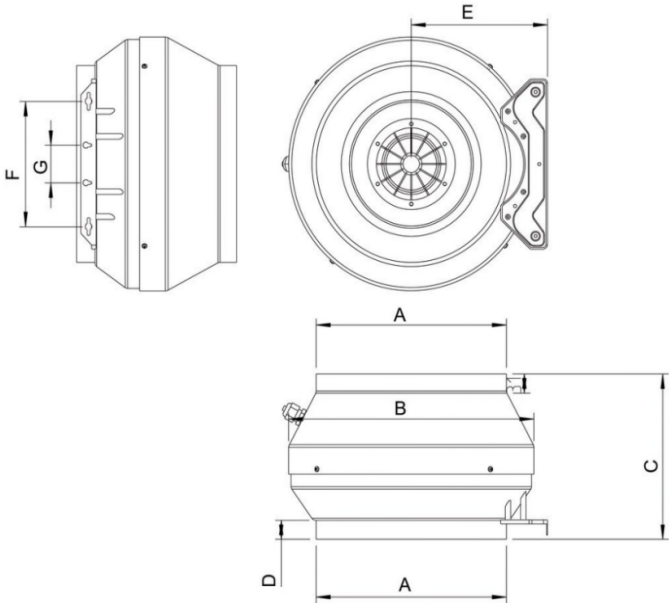
Options:

Flexible connection	VBM-315
Gravity Louvre shutter	RSK-315
Protection guard	RSG-315
Filter cassette	FRG-315
Silencer	GLD-A 315
MTV	--
MTP	STRS4-12L40

Curve :

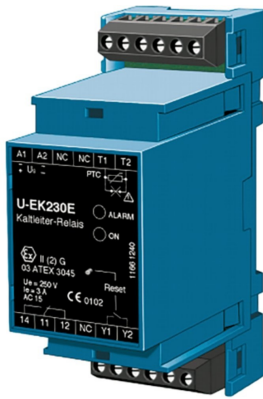


Dimensions :



$\varnothing A$	$\varnothing B$	C	D	E	F	G
314	405	264	30,5	225	200	60

U-EK230E Motor protection



Description

Thermistor motor protection

Monitoring device (PTC thermistor tripping device) with potential-free signal contact (at AC15: 250VAC & 3A)(e.g. for connection to a system controller or a frequency converter) to protect all motors with integrated PTC thermistors.

The U-EK 230E is a thermistor motor protection device which is intended for use in conjunction with a contactor for the protection of the Ex fans, it can also be used for fans with built-in thermistor. This is an electronic unit designed for snap fitting on to a 35 mm instrument rail. Fan motors have six series-connected thermistors, two per phase winding, whose resistance is determined...

Technical parameters

Nominal data	
Voltage (nominal)	230 V
Frequency	50 Hz
Protection/Classification	
Enclosure class	IP20
Controller and Sensors	
Permitted ambient temperature	-20 to 50 °C
Switching capacity	250V AC / 3A
Dimensions and weights	
Depth	58 mm
Height	116 mm
Width	35 mm
Weight	0.15 kg

Wiring

