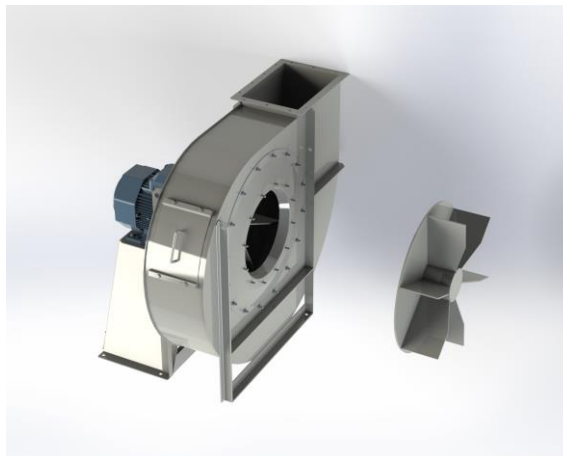


TH 902B



Centrifugal fan model TH Es.4

Single inlet fan, direct driven with an IEC-standard motor in form B3 which is mounted on a motorbase. The overhang impeller is mounted on the motor shaft and has an open blade impeller. The robust industrial fan is totally made of steel and painted in the agate grey color RAL 7037. The fan is suitable for the transport of granules and trimmings in nylon; for loading solid fuels into boilers, etc.

General data:

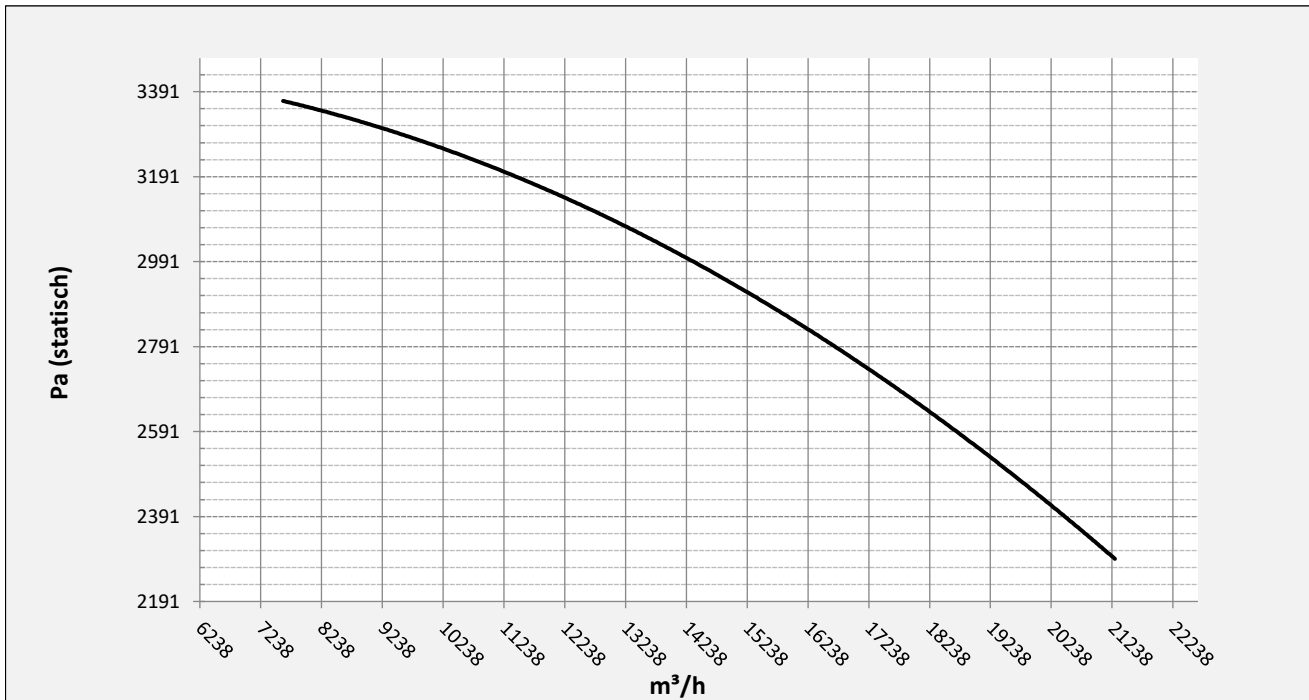
Drive	direct
Motor position	horizontal
Material casing/base	Steel
Material impeller/hub	Steel
Motorcoating/protection	RAL 7037
Operating temperature (max.)	15 (80) °C
Medium density (altitude 0 m)	1,226 kg/m ³
Impeller speed	1480 rpm
Weight	634 kg
Sound pressure level ±3	84 dB(A)

(at 1,5 m near the fan with inlet and outlet ducted, in free field)

Electric motor:

	200L	IEC
Power	30	kW
Motor speed	1.480	rpm
Electric supply	3x400V50Hz	V/Hz
Full load current	57,1	A
Enclosure	55	IP
Shape	B3T	
Efficiency class	IE3	

Curve TH 902B @ 1480rpm @ 15°C @ 0m



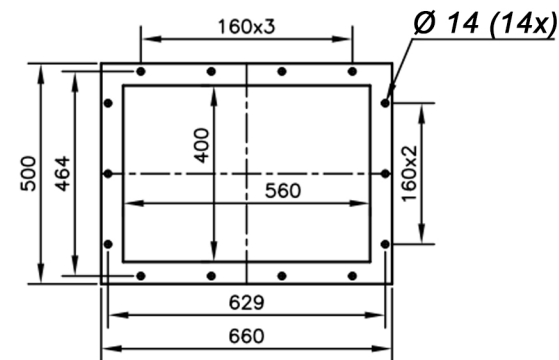
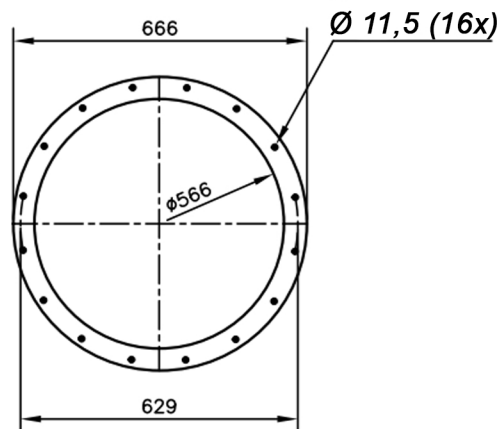
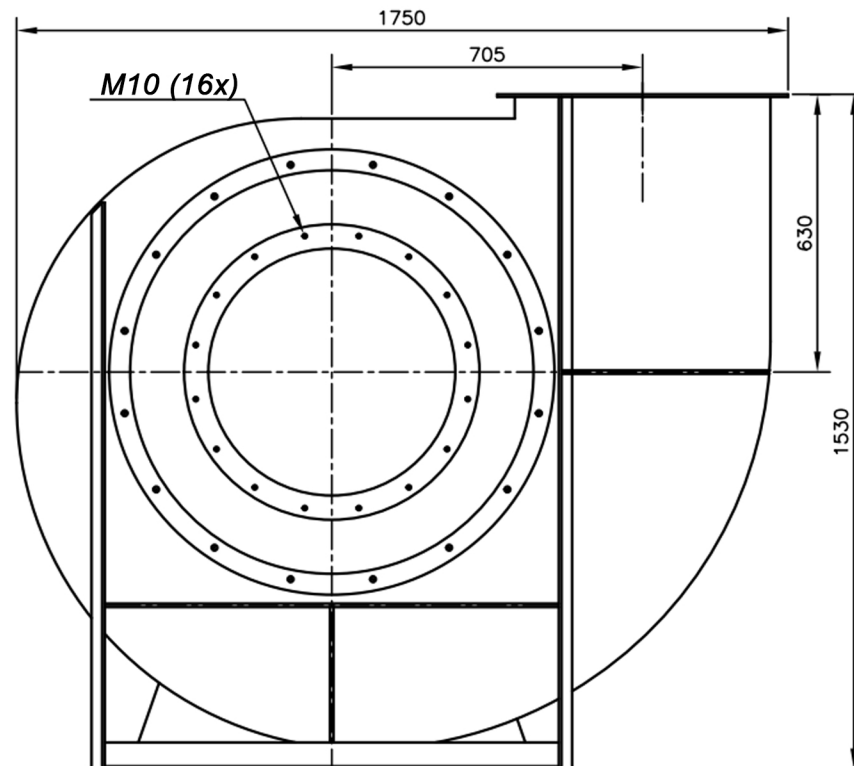
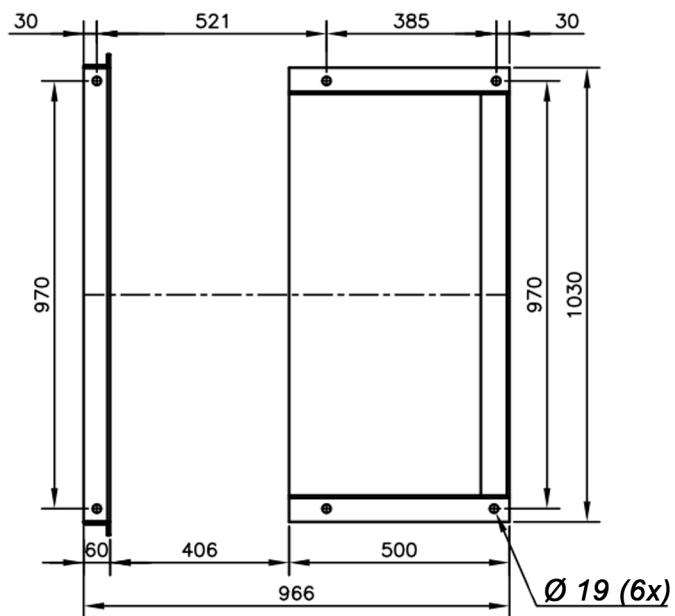
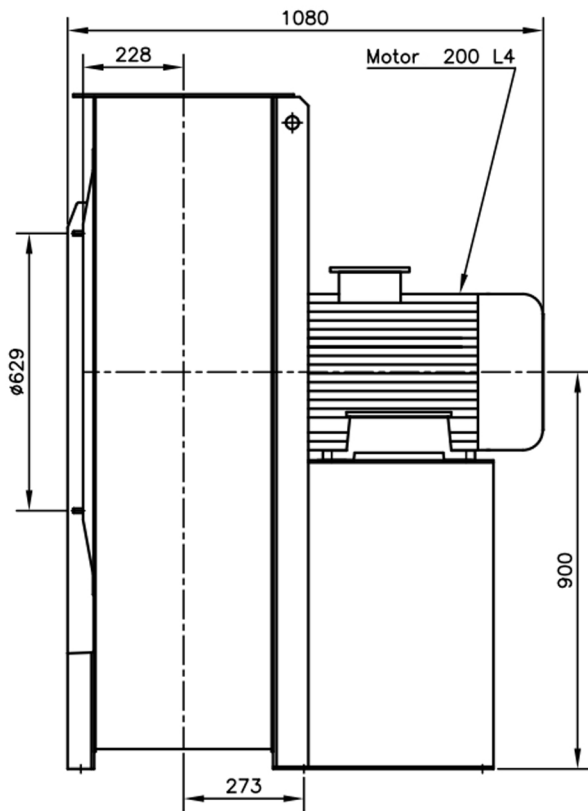
Possible discharge positions:




* (Pos 180 and 225 extra price)

Possible accessories

Mounting profiles for load distribution	--
Counterflange inlet/outlet	zz Ø560 / pz 560x400
Flexible connection inlet/outlet max. 80°C	zz Ø630 / pz Ø710
Anti-vibration mountings	6x 70x45/B/40° ShA
Inspectiondoor	
Drain connection	
Shaft seal without asbestos	
Coolingwheel (medium max. 150°C)	(incl. coating RAL9006)
Flexible connection inlet/outlet max. 150°C	zz Ø630 / pz Ø710
ATEX version	Zone 1 / 2 / 21 / 22
ATEX motor	Ex nA / Exe / Ex de
Coating suitable for outdoor application	RAL 5010 / RAL
Stainless steel version	304 / 316 / ...
Acoustic enclosure	



DESCRIPTION-BESCHRIJVING	SCHAAL	GEMAAKT - PREPARED	FORMAAT
	1:17		A4
TH902/B - RD0	DATUM	Overmeer E.	REV.
	01/12/2023		00
N.TEKENING - N.DRAWING			
		V1TH902/B	