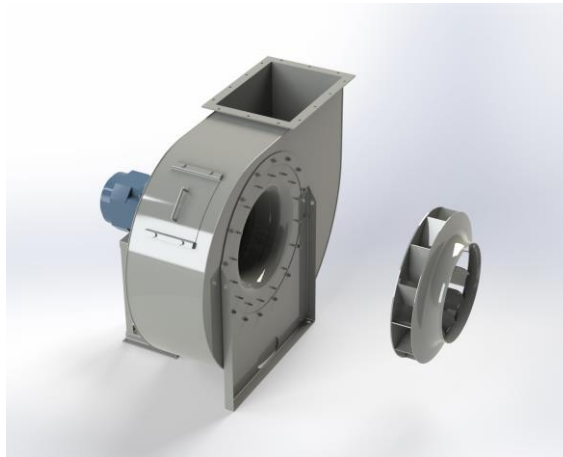


EUK 351



Centrifugal fan model EUK, Es.4

Single inlet fan, direct driven with an IEC-standard motor in form B3 which is mounted on a motorbase. The overhang impeller is mounted on the motor shaft and has backwardly curved blades. The blades are welded between the back plate disc and the aerodynamically formed front plate. The robust industrial fan is totally made of steel and painted in the agate grey color RAL 7037. The fan is suitable for the transportation of clean and slightly dusty air.

General data:

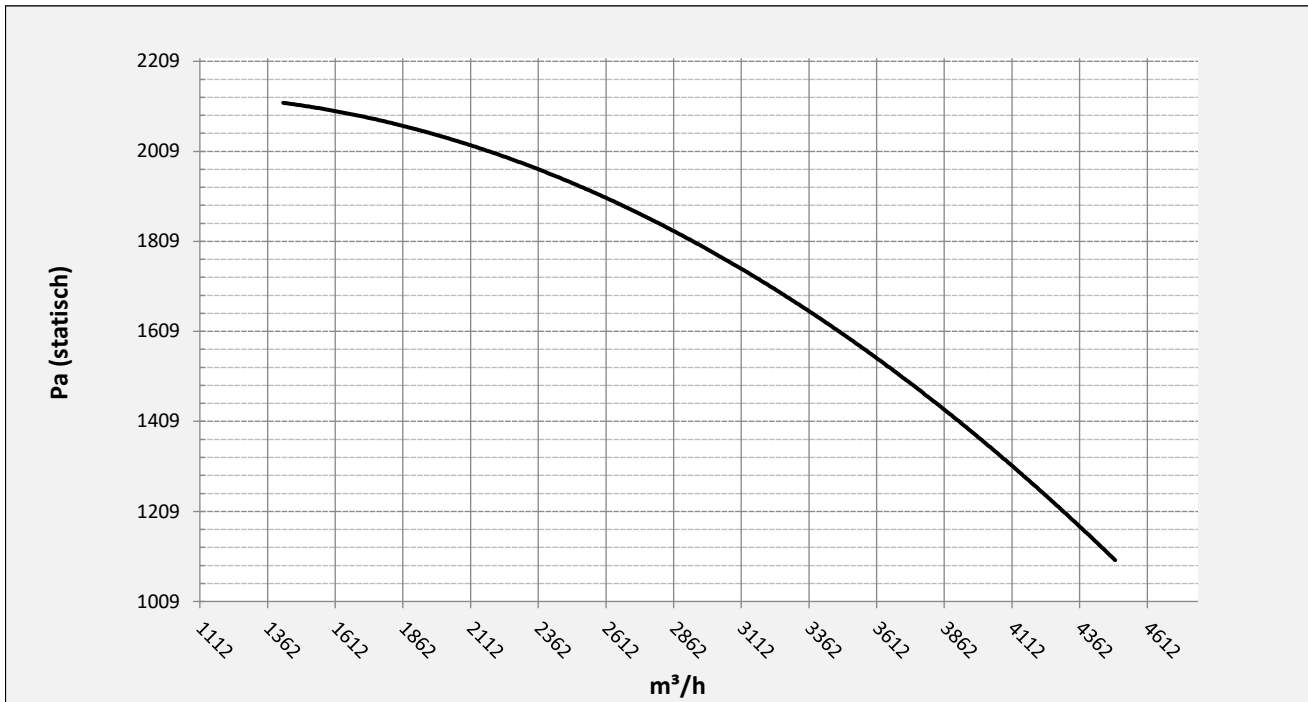
Drive	direct
Motor position	horizontal
Material casing/base	Steel
Material impeller/hub	Steel
Motorcoating/protection	RAL 7037
Operating temperature (max.)	15 (80) °C
Medium density (altitude 0 m)	1,226 kg/m ³
Impeller speed	2900 rpm
Weight	72 kg
Sound pressure level ±3	72,5 dB(A)

(at 1,5 m near the fan with inlet and outlet ducted, in free field)

Electric motor:

	90L	IEC
Power	2,2	kW
Motor speed	2.900	rpm
Electric supply	3x400V50Hz	V/Hz
Full load current	4,43	A
Enclosure	55	IP
Shape	B3T	
Efficiency class	IE3	

Curve EUK 351 @ 2900rpm @ 15°C @ 0m



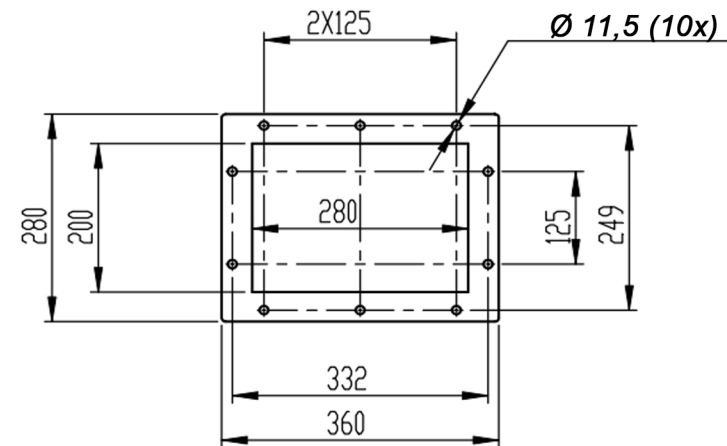
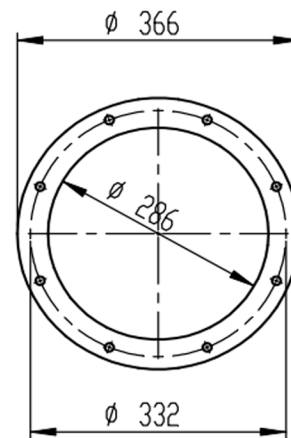
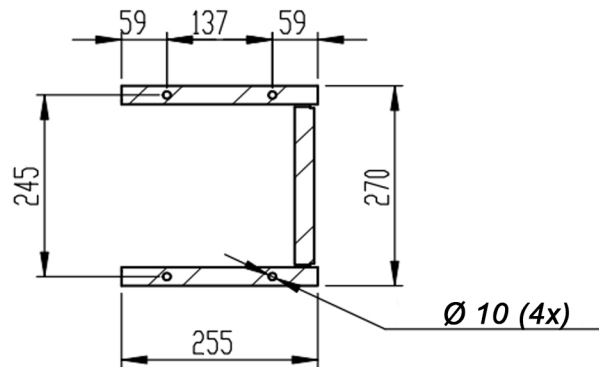
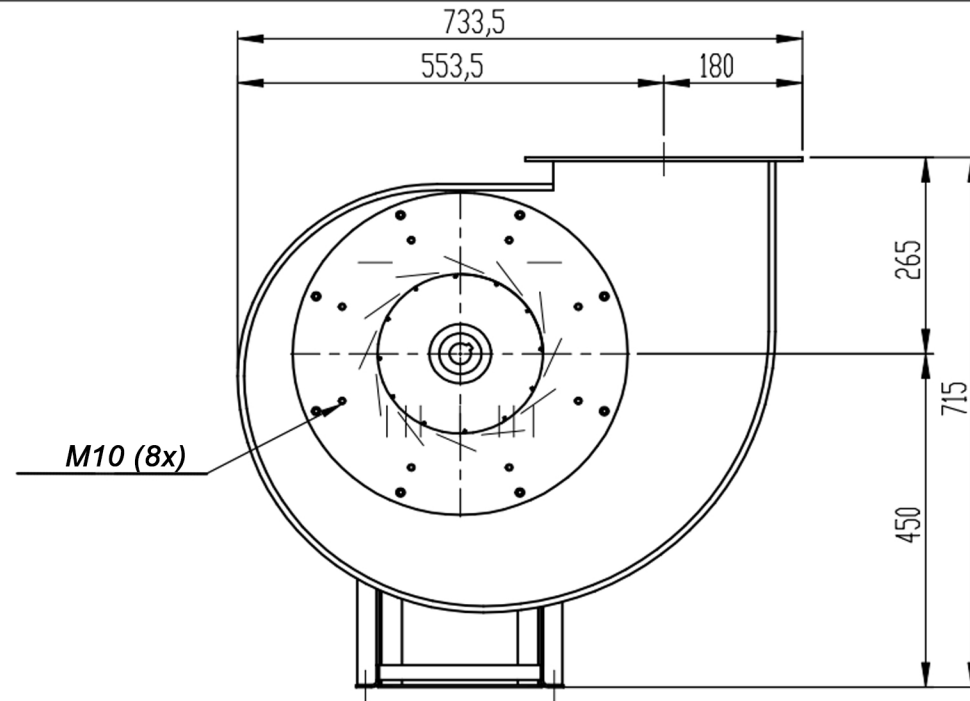
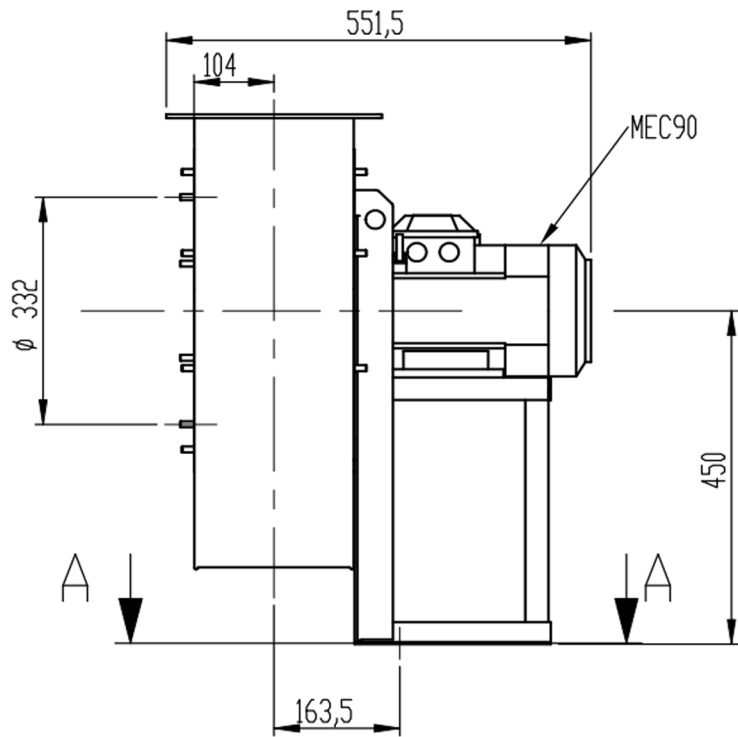
Possible discharge positions:



* (Pos 180 and 225 extra price)

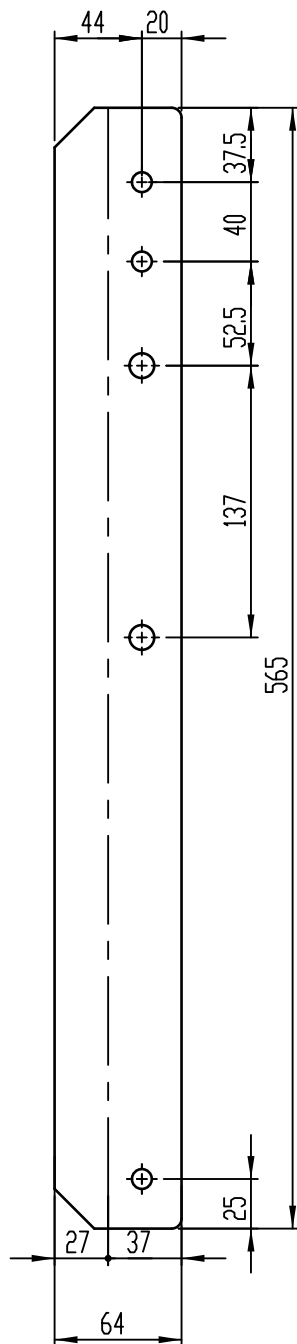
Possible accessories

Mounting profiles for load distribution	--
Counterflange inlet/outlet	zz Ø280 / pz 280x200
Flexible connection inlet/outlet max. 80°C	zz Ø315 / pz Ø355
Anti-vibration mountings	4x 30x20/B/40° ShA
Inspectiondoor	
Drain connection	
Shaft seal without asbestos	
Coolingwheel (medium max. 150°C)	(incl. coating RAL9006)
Flexible connection inlet/outlet max. 150°C	zz Ø315 / pz Ø355
ATEX version	Zone 1 / 2 / 21 / 22
ATEX motor	Ex nA / Exe / Ex de
Coating suitable for outdoor application	RAL 5010 / RAL
Stainless steel version	304 / 316 / ...
Acoustic enclosure	

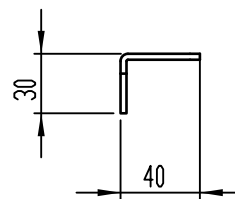
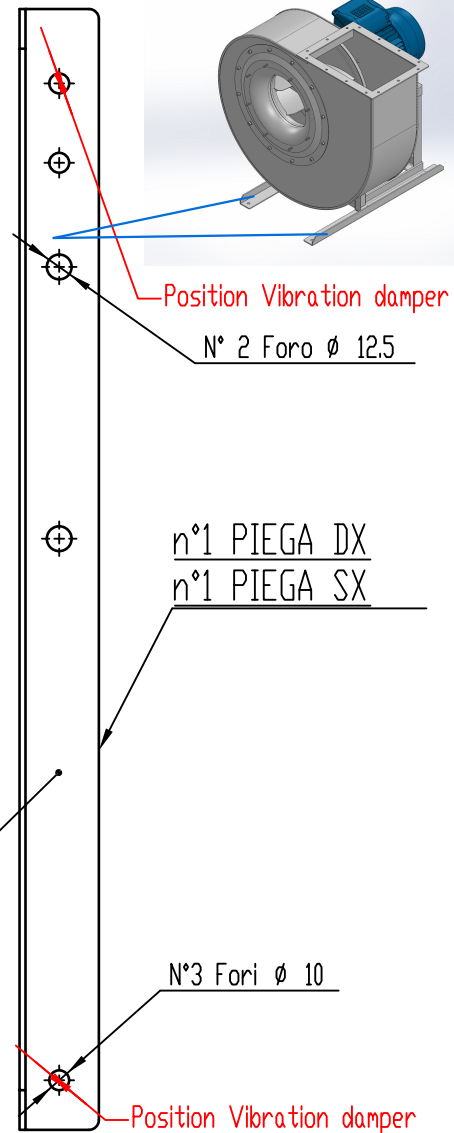


A-A

DESCRIPTION-BESCHRIJVING EUK351 - RD0	SCHAAL 1:10	GEMAAKT - PREPARED Overmeer E.	FORMAAT A4
	DATUM 19/10/2023		REV. 00
N. TEKENING - N. DRAWING Slingerland ventilatoren		V1EUK 311	



Sp. 30/10



COMM.

N°

01	04/12/2019	Adattamento alle sedie nuove	Galiotto M.	De Santi G.
00	11/11/2015	PRIMA EMISSIONE	Galiotto M.	De Santi G.
REV	DATA - DATE	DESCRIZIONE - DESCRIPTION	DISEGNATO PREPARED	CONTROLLATO CHECKED
DESCRIZIONE - DESCRIPTION		MATERIALE - MATERIAL	NR.FILE	PESO - WEIGHT
		Fe 360	EUR00068009	Kg 0.83
DESCRIZIONE - DESCRIPTION		SCALA 1:3.5	DISEGNATO - PREPARED	FORMATO
Staffe per Puffer L=565		DATA 04/12/2019	Galiotto M.	A4
IEC 90		SOSTITUISCE IL - REPLACES THE N°		
		SOSTITUITO DAL - REPLACES BY N°		
N.DISEGNO - N.DRAWING			REV.	
STF052501			01	

