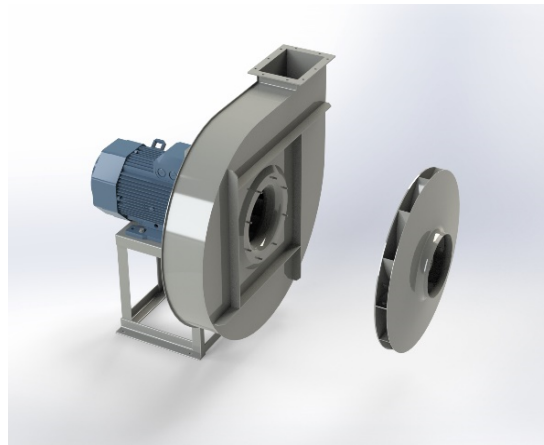


APRG 901A



Centrifugal fan model APRG, Es.4

Single inlet fan, direct driven with an IEC-standard motor in form B3 which is mounted on a motorbase. This series of high-pressure fans is characterized by a high efficiency with electricity saving by installing a special impeller with backward curved blades. The robust industrial fan is totally made of steel and painted in the agate gray RAL 7037. The fan is suitable for the transportation of clean and slightly dusty air.

General data:

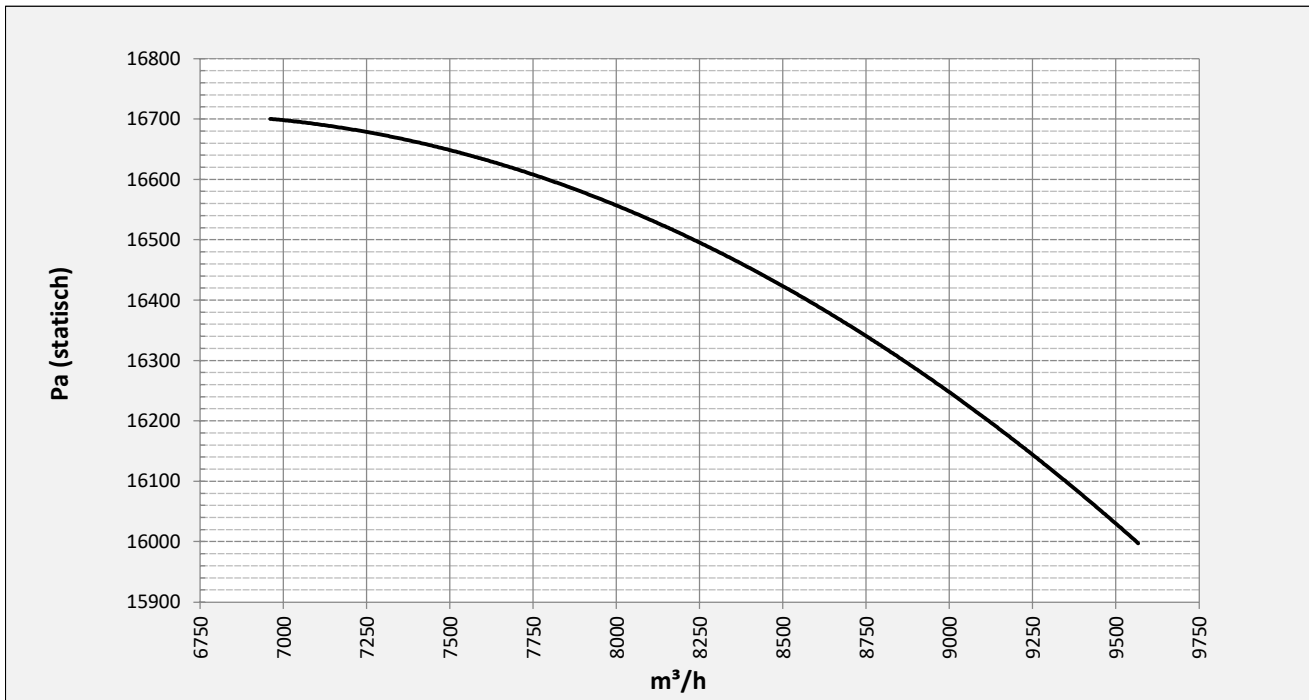
| | |
|-------------------------------|-------------------------|
| Drive | direct |
| Motor position | horizontal |
| Material casing/base | Steel |
| Material impeller/hub | Steel |
| Motorcoating/protection | RAL 7037 |
| Operating temperature (max.) | 15 (80) °C |
| Medium density (altitude 0 m) | 1,226 kg/m ³ |
| Impeller speed | 2960 rpm |
| Weight | 749 kg |
| Sound pressure level ±3 | 93 dB(A) |

(at 1,5 m near the fan with inlet and outlet ducted, in free field)

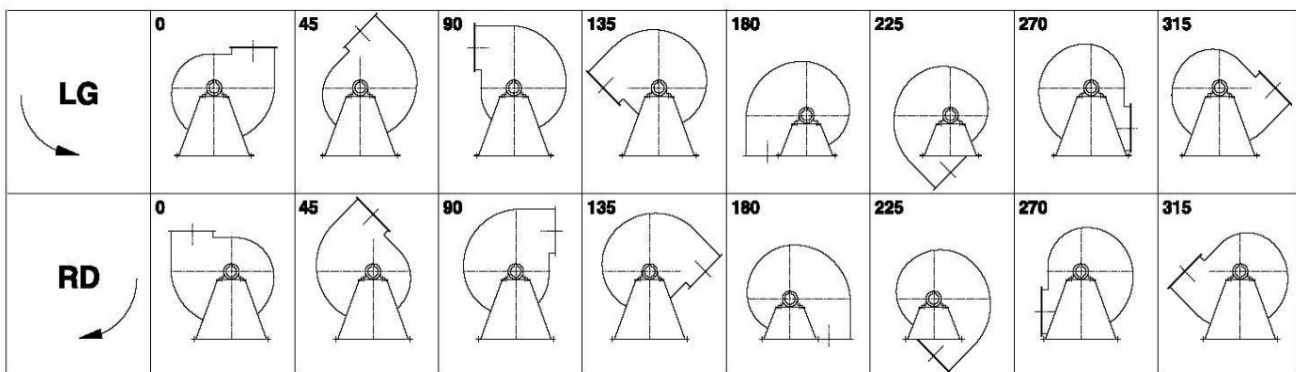
Electric motor:

| | | |
|-------------------|------------|------|
| | 250M | IEC |
| Power | 55 | kW |
| Motor speed | 2.960 | rpm |
| Electric supply | 3x400V50Hz | V/Hz |
| Full load current | 95,6 | A |
| Enclosure | 55 | IP |
| Shape | B3T | |
| Efficiency class | IE3 | |

Curve APRG 901A @ 2960rpm @ 15°C @ 0m



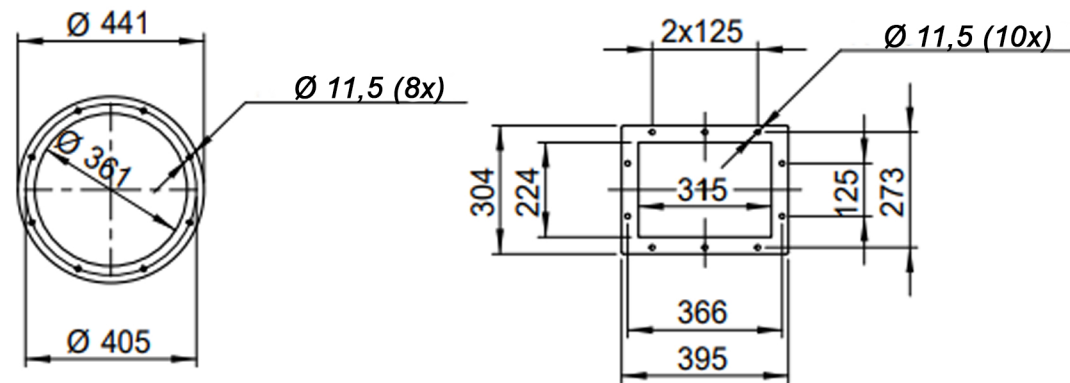
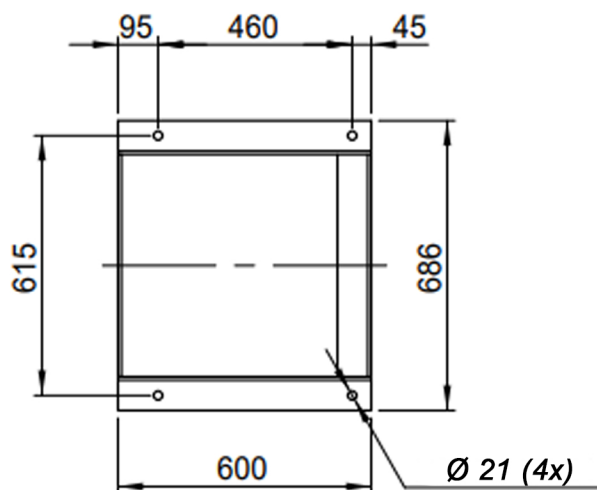
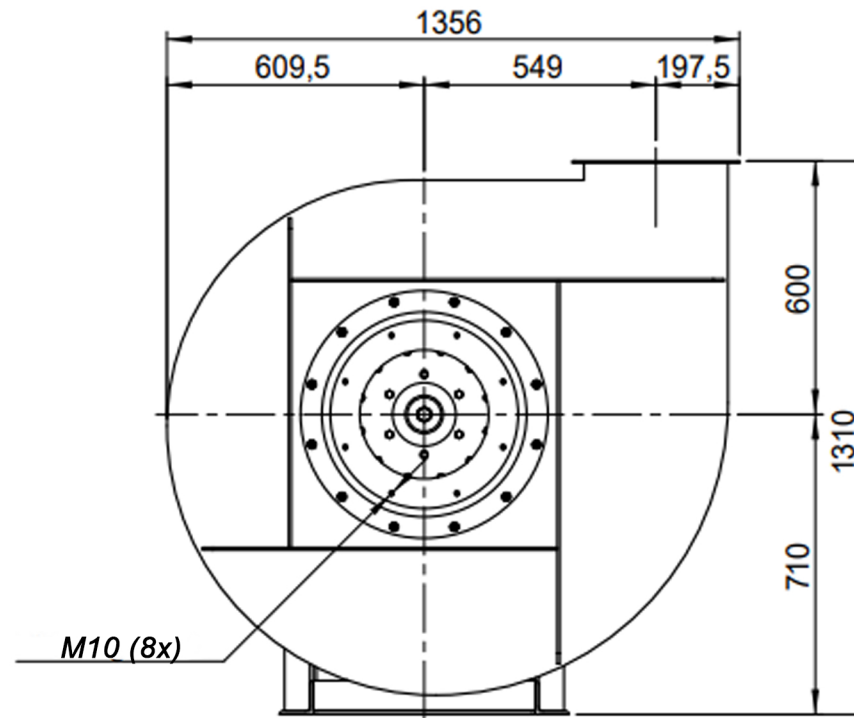
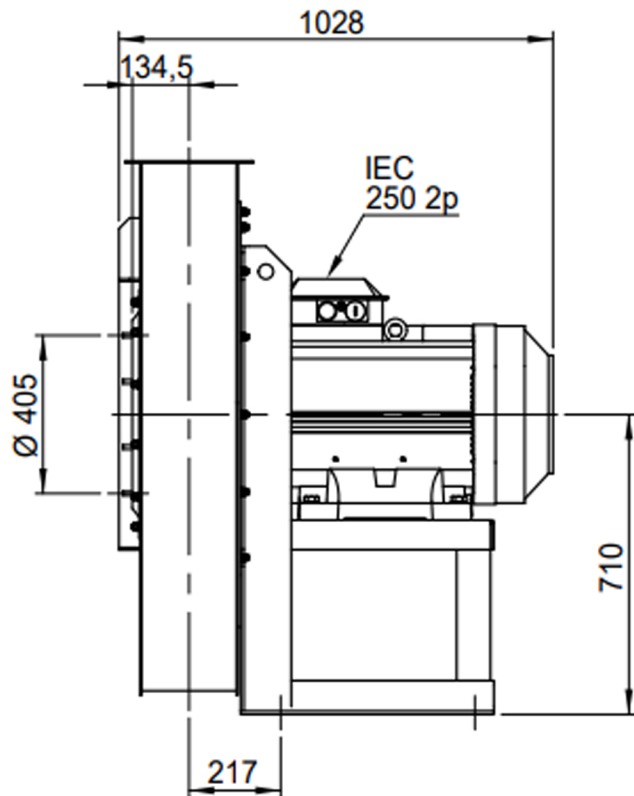
Possible discharge positions:



* (Pos 180 and 225 extra price)

Possible accessories

| | |
|---|---------------------------|
| Mounting profiles for load distribution | -- |
| Counterflange inlet/outlet | zz Ø355 / pz 315x224 |
| Flexible connection inlet/outlet max. 80°C | zz Ø400 / pz Ø400 |
| Anti-vibration mountings | 4x 100x55/B/70° ShA |
| Inspectiondoor | |
| Drain connection | |
| Shaft seal without asbestos | |
| Coolingwheel (medium max. 150°C) | (incl. coating RAL9006) |
| Flexible connection inlet/outlet max. 150°C | zz Ø400 / pz Ø400 |
| ATEX version | Zone 1 / 2 / 21 / 22 |
| ATEX motor | Ex nA / Exe / Ex de |
| Coating suitable for outdoor application | RAL 5010 / RAL |
| Stainless steel version | 304 / 316 / ... |
| Acoustic enclosure | |



| | | | |
|---|----------------------------|--|----------------------|
| DESCRIPTION-BESCHRIJVING APRG901/A - RD0 | SCHAAL 1:18 | GEMAAKT - PREPARED Overmeer E. | FORMAAT A4 |
| | DATUM 17/11/2023 | | |
| N.TEKENING - N.DRAWING Slingerland ventilatoren | | REV. V1APRG901/A 00 | |