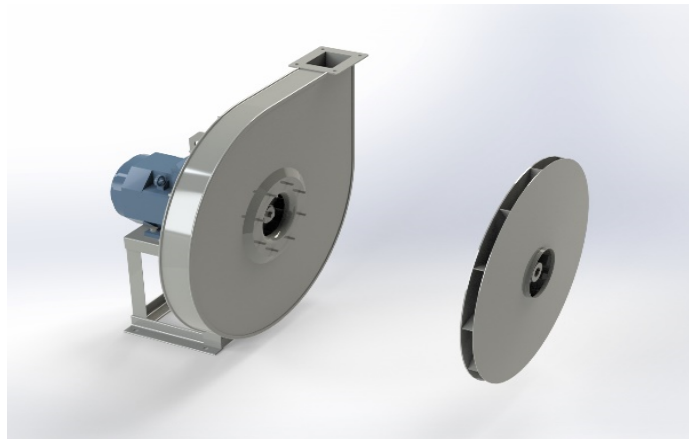


## APE 451A



### Centrifugal fan model APE Es.4

Single inlet fan, direct driven with an IEC-standard motor in form B3 which is mounted on a motorbase. The overhang impeller is mounted on the motor shaft and has forward curved blades. De blades are welded between the back plate disc and the aerodynamically formed front plate. The fan is suitable for pneumatic transport, in cement plants, in the air supply of cabinets, in foundries and in oil burners, in mills, in pasta factories, in the chemical, iron and steel industry, in the metallurgical industry where small flows with medium and high pressure are required.

#### General data:

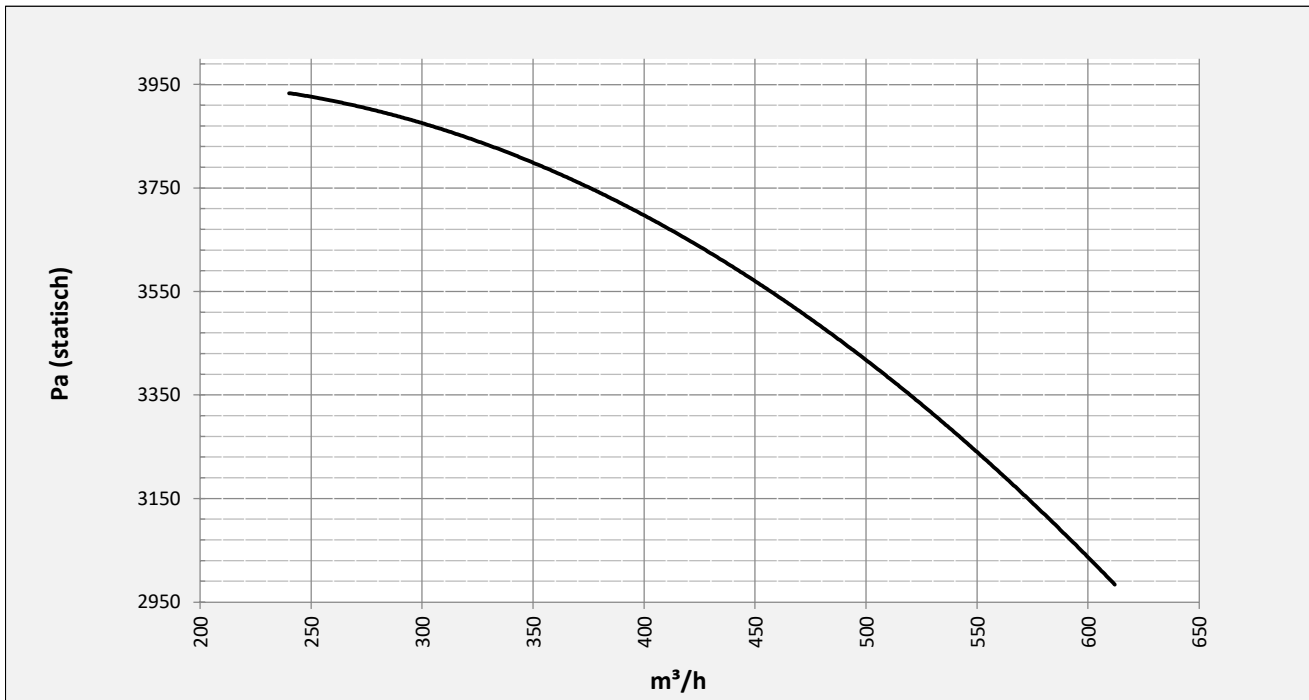
Drive	direct
Motor position	horizontal
Material casing/base	Steel
Material impeller/hub	Steel
Motorcoating/protection	RAL 7037
Operating temperature (max.)	15 (80) °C
Medium density (altitude 0 m)	1,226 kg/m <sup>3</sup>
Impeller speed	2830 rpm
Weight	51 kg
Sound pressure level ±3	74 dB(A)

*(at 1,5 m near the fan with inlet and outlet ducted, in free field)*

#### Electric motor:

	80	IEC
Power	1,1	kW
Motor speed	2.830	rpm
Electric supply	3x400V50Hz	V/Hz
Full load current	2,33	A
Enclosure	55	IP
Shape	B3T	
Efficiency class	IE3	

Curve APE 451A @ 2830rpm @ 15°C @ 0m



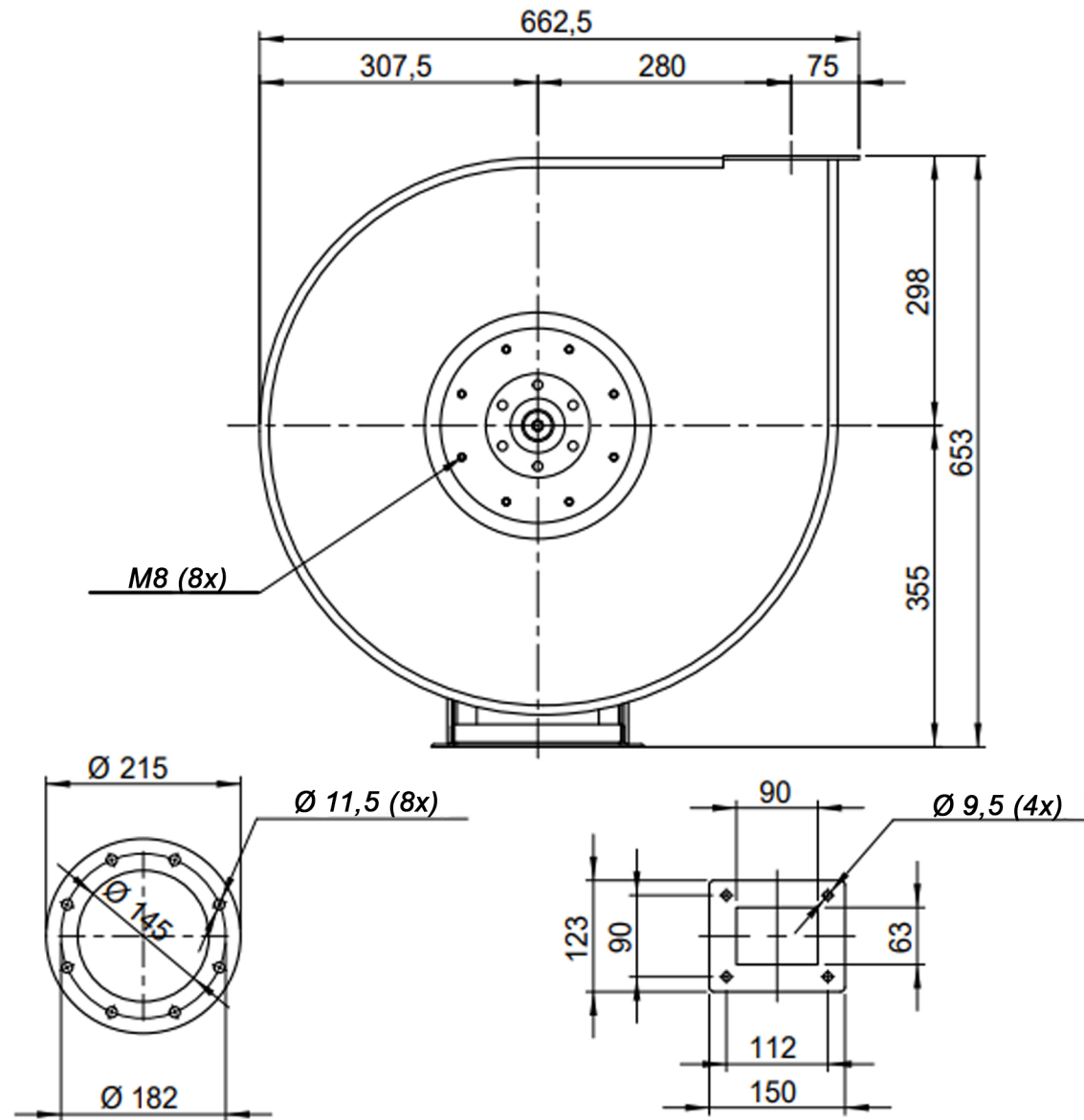
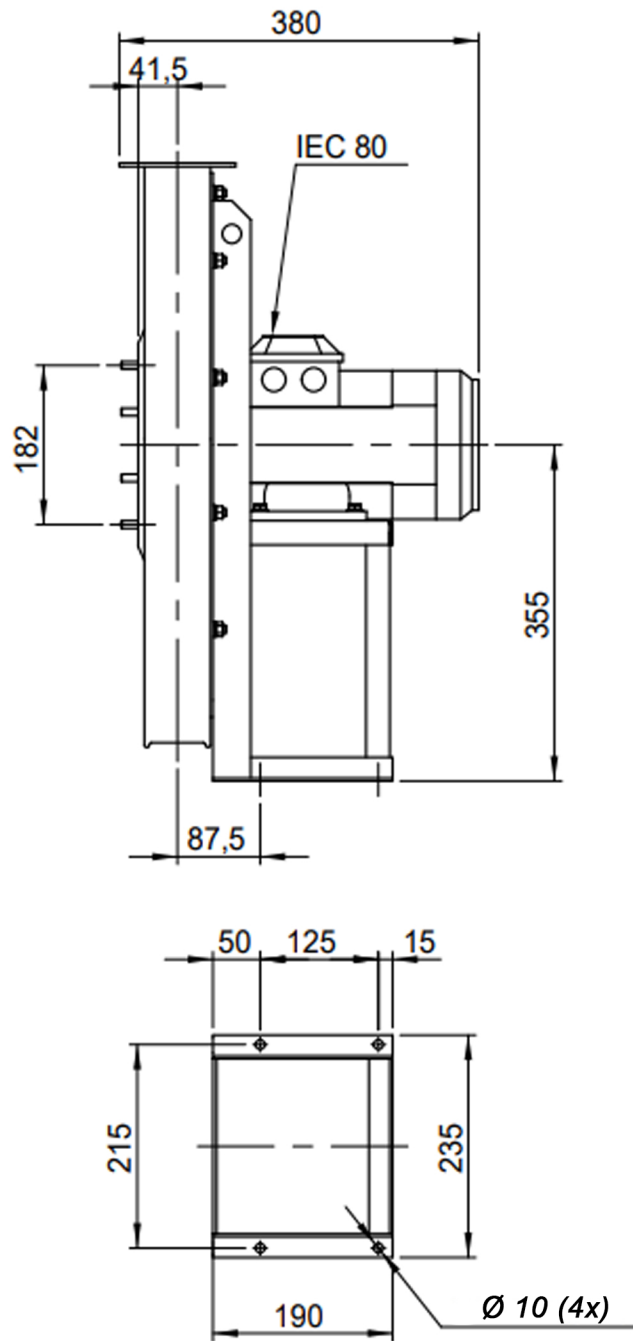
**Possible discharge positions:**




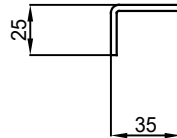
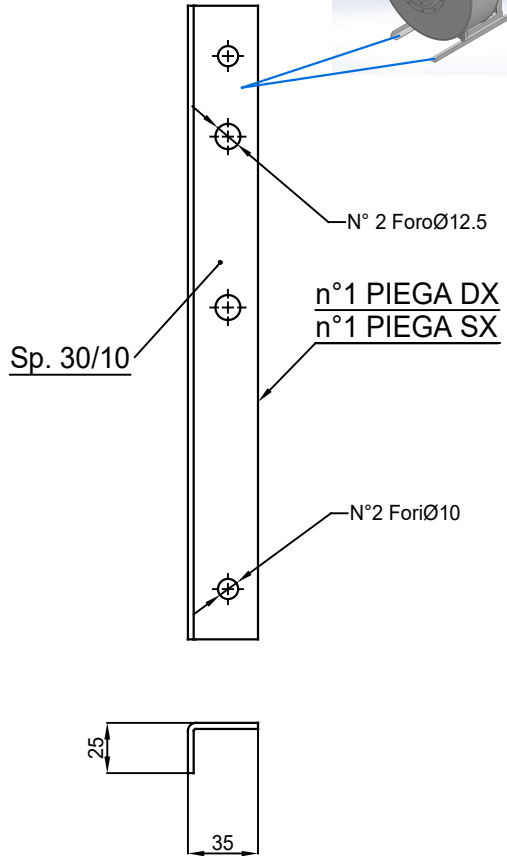
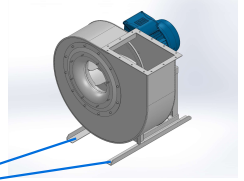
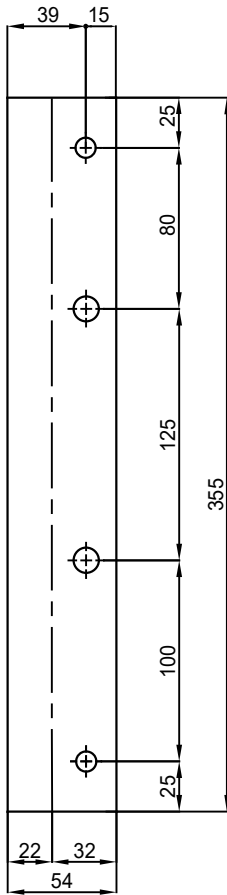
\* (Pos 180 and 225 extra price)

**Possible accessories**

Mounting profiles for load distribution	STF AP07108001ST
Counterflange inlet/outlet	zz Ø140 / pz 90x63
Flexible connection inlet/outlet max. 80°C	zz Ø160 / pz Ø160
Anti-vibration mountings	4x 30x20/B/40° ShA
Inspection door	
Drain connection	
Shaft seal without asbestos	
Coolingwheel (medium max. 150°C)	( incl. coating RAL9006 )
Flexible connection inlet/outlet max. 150°C	zz Ø160 / pz Ø160
ATEX version	Zone 1 / 2 / 21 / 22
ATEX motor	Ex nA / Exe / Ex de
Coating suitable for outdoor application	RAL 5010 / RAL ....
Stainless steel version	304 / 316 / ...
Acoustic enclosure	



DESCRIPTION-BESCHRIJVING	SCHAAL	GEMAAKT - PREPARED	FORMAAT
<b>APE451/A - RD0</b>	1:8	Overmeer E.	A4
	DATUM		
	2/11/2023		
N.TEKENING - N.DRAWING			REV.
			<b>V1APE451/A</b>
			00



COMM.  
N°

00	01/02/2016	PRIMA EMISSIONE		RK	AL
01	16/09/2020	Extension pedestal		MvS	MvS
REV	DATA - DATE	DESCRIZIONE - DESCRIPTION		DISEGNATO PREPARED	CONTROLLATO CHECKED
DESCRIZIONE - DESCRIPTION		MATERIALE - MATERIAL	NR.FILE	PESO - WEIGHT	
		Fe 360		Kg 0,4	
Staffe per Puffer L=355 IEC 71-80 / AP series			SCALA 1:2,5	DISEGNATO - PREPARED	FORMATO
			DATA 01/02/2016	RK	A4
			SOSTITUISCE IL - REPLACES THE N°		
			SOSTITUITO DAL - REPLACES BY N°		
N.DISEGNO - N.DRAWING					REV.
STF-AP07108001ST					01